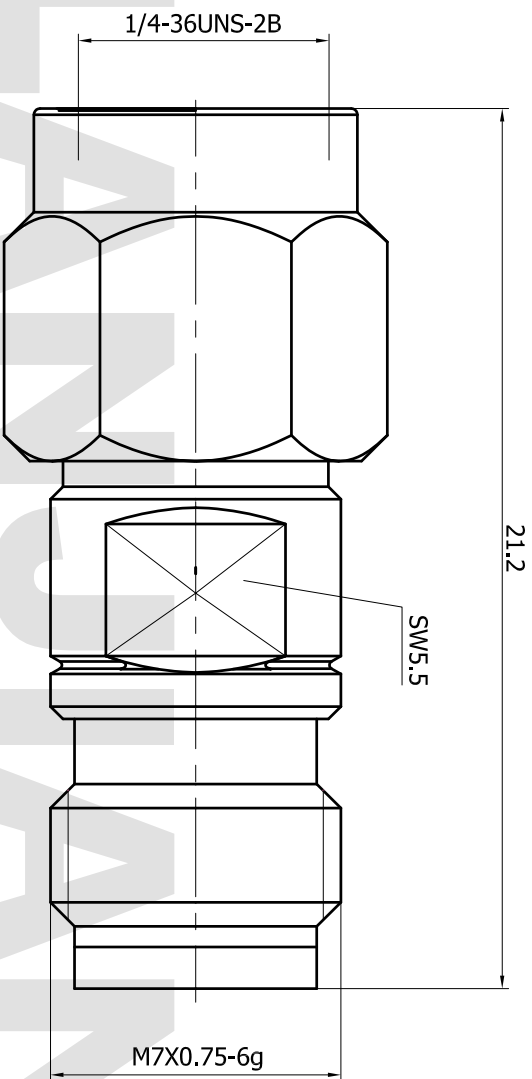


PRODUCT DATA SHEET



MATERIAL:
 BODY: STAINLESS STEEL
 CONTACT: BERYLLIUM COPPER
 INSULATOR: NORYL

PERFORMANCE:
 IMPEDANCE: 50 OHMS
 FREQUENCY: DC TO 26.5GHZ
 VSWR: ≤1.2

THIS DOCUMENT CONTAINS CONFIDENTIAL AND PROPRIETARY INFORMATION THAT CANNOT BE REPRODUCED OR DIVULGED, IN WHOLE OR IN PART, WITHOUT WRITTEN AUTHORIZATION FROM "LANJIAN ELECTRONICS"

MATERIAL :		UNLESS OTHERWISE SPECIFIED: DIMENSIONS IN MM	
TOLERANCES :	XX ±0.20	ANGULAR : ±1°	DEBURR AND BREAK SHARP EDGES
	XXX ±0.10	FILETS R/C : ±0.10	
	X.XXX ±0.01	SURFACE FINISH : Ra 1.6	
DRAWN	X.C.W	DATE	SIGNATURE
CHKD	H.Z.Y	04/21/2022	
APPRVD	H.Z.Y	04/21/2022	
MFG			
PROJECTION	SIZE	SCALE	
	A3	8:1	

LANJIAN ELECTRONICS
 38 Hengtong Road, Xinqu Dingmao
 Zhenjiang, 212009, Jiangsu, P. R. China

TITLE
2.4/SMA-KJ

DWG No. GCPZ3.640.A.033

DO NOT SCALE THE DRAWING

REV.
 A

1 / 1