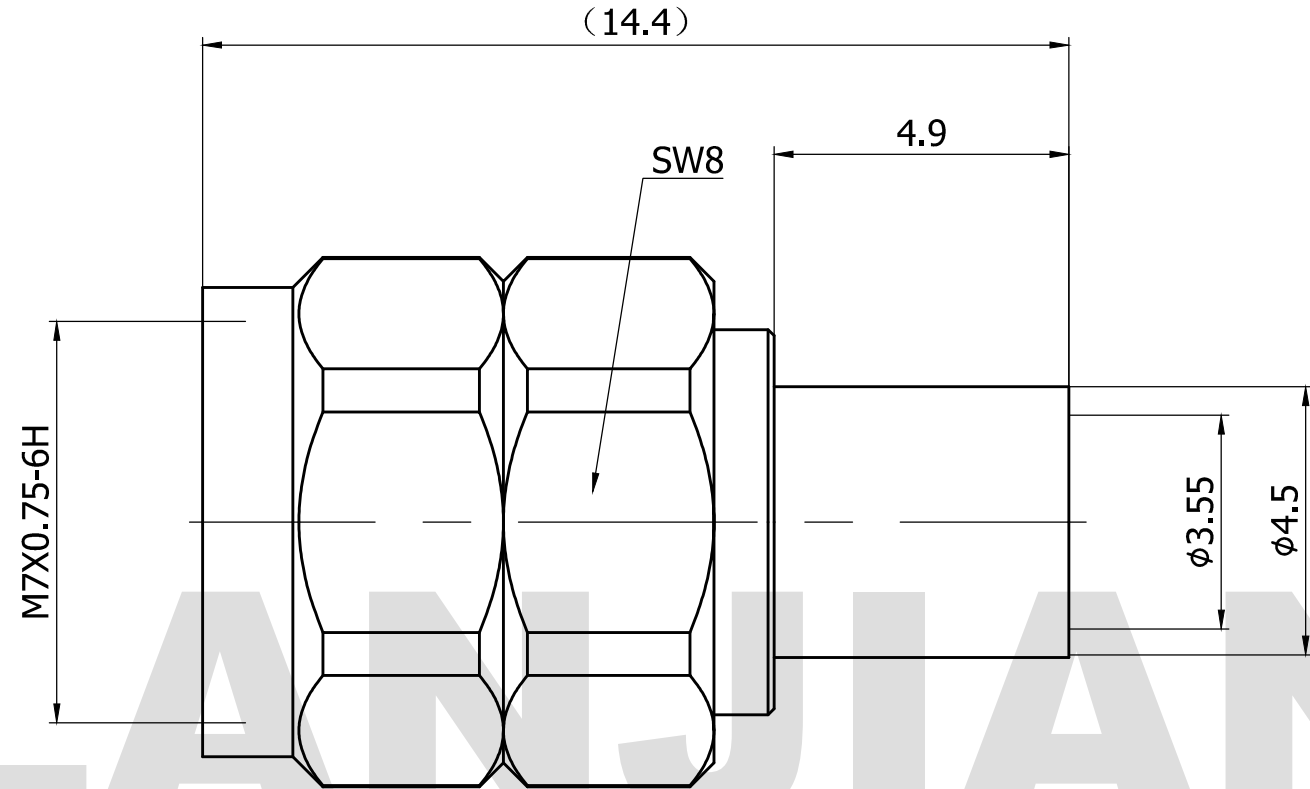


PRODUCT DATA SHEET



MATERIAL:
 BODY: STAINLESS STEEL /BRASS
 CONTACT: BERYLLIUM COPPER
 INSULATOR: PEI

PERFORMANCE:
 IMPEDANCE: 50 OHMS
 FREQUENCY: DC TO 50 GHz
 VSWR: ≤ 1.30

THIS DOCUMENT CONTAINS CONFIDENTIAL AND PROPRIETARY INFORMATION THAT CANNOT BE REPRODUCED OR DIVULGED, IN WHOLE OR IN PART, WITHOUT WRITTEN AUTHORIZATION FROM "LANJIAN ELECTRONICS"

MATERIAL :			
UNLESS OTHERWISE SPECIFIED: DIMENSIONS IN MM			
TOLERANCES :			
X.X	± 0.20	ANGULAR : $\pm 1^\circ$	DEBURR AND BREAK SHARP EDGES
X.XX	± 0.10	FILLETS R/C : ± 0.10	
X.XXX	± 0.01	SURFACE FINISH : Ra 1.6	
	NAME	DATE	SIGNATURE
DRAWN	X.C.W	07/16/2020	
CHK'D	H.Z.Y	07/16/2020	
APPV'D	Q.L	07/16/2020	
MFG			
PROJECTION		SIZE	SCALE
		A3	8:1

LANJIAN ELECTRONICS
 38 Hengtong Road, Xinqu Dingmao
 Zhenjiang, 212009, Jiangsu, P. R. China

TITLE
**2.4-J402
 PLUG CONNECTOR**

DWG No. _____ REV. **A**

DO NOT SCALE THE DRAWING PAGE 1/1