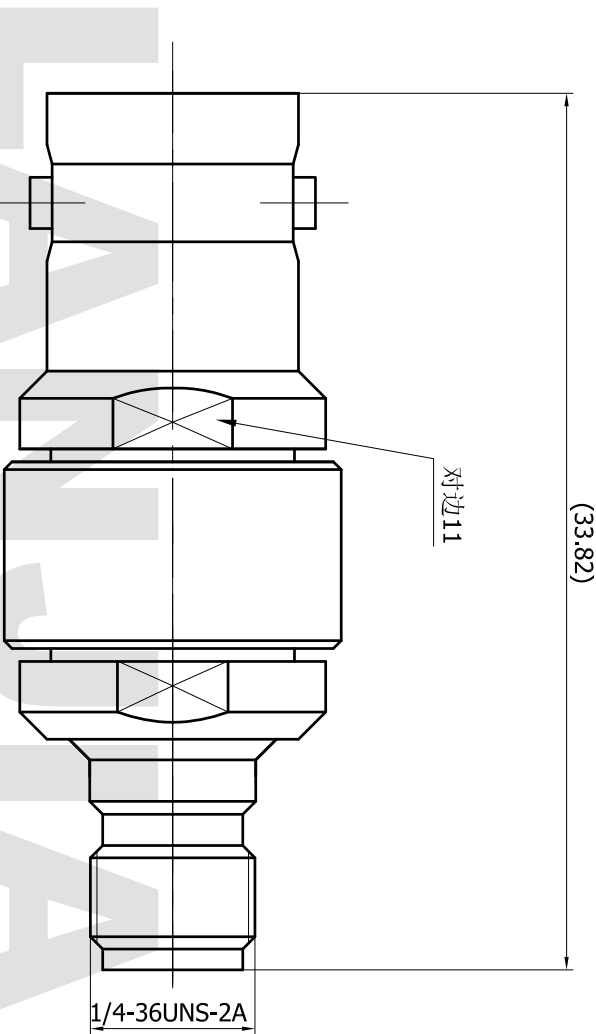


# PRODUCT DATA SHEET



**MATERIAL:**  
BODY: STAINLESS STEEL  
CONTACT: BERYLLIUM COPPER  
INSULATOR: NORYL

**PERFORMANCE:**  
IMPEDANCE: 50 OHMS  
FREQUENCY: DC TO 18 GHz  
VSWR:  $\leq 1.2$

THIS DOCUMENT CONTAINS CONFIDENTIAL AND PROPRIETARY INFORMATION THAT CANNOT BE REPRODUCED OR DIVULGED, IN WHOLE OR IN PART, WITHOUT WRITTEN AUTHORIZATION FROM "LANJIAN ELECTRONICS"			
MATERIAL : UNLESS OTHERWISE SPECIFIED: DIMENSIONS IN MM		TOLERANCES : XX ±0.20 ANGULAR : ±1° XXX ±0.10 FILETS R/C : ±0.10 X.XXX ±0.01 SURFACE FINISH : Ra 1.6	
DRAWN	X.C.W	DATE	SIGNATURE
CHKD	H.Z.Y	04/21/2022	DEBURR AND BREAK SHARP EDGES
APPRVD	H.Z.Y	04/21/2022	
MFG			
PROJECTION	SIZE	SCALE	
	A3	8:1	

**LANJIAN ELECTRONICS**  
38 Hengtong Road, Xinqu Dingmao  
Zhenjiang, 212009, Jiangsu, P. R. China

TITLE  
**3.5/BNC-KK-G**

DWG No. GCPZ3.640.F.017

DO NOT SCALE THE DRAWING

REV.  
A  
1 / 1