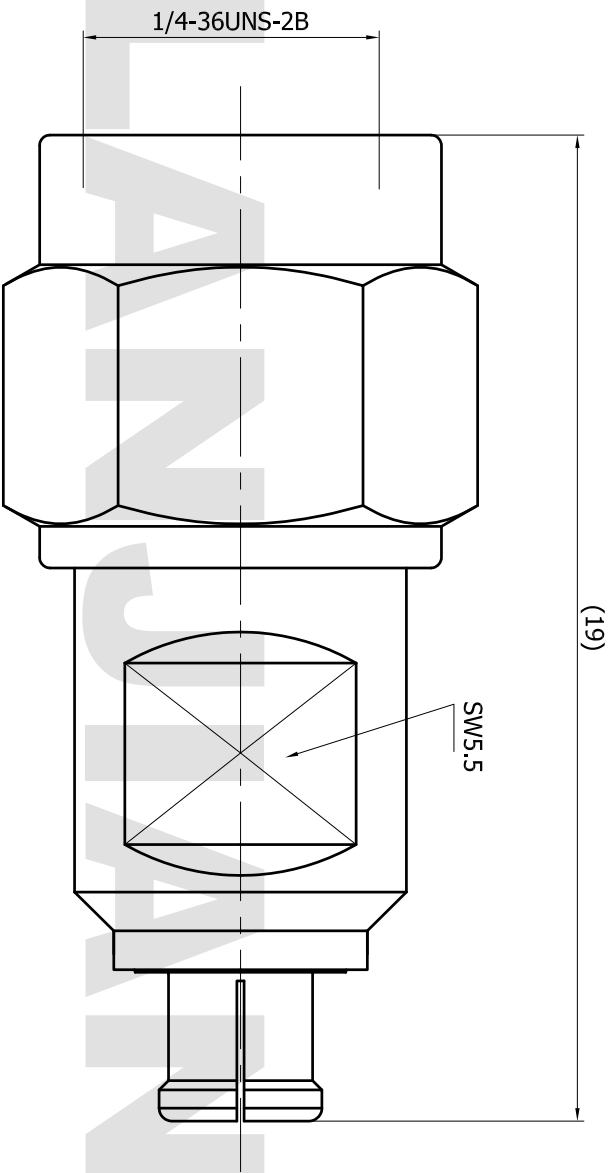


PRODUCT DATA SHEET



MATERIAL:
BODY: STAINLESS STEEL
CONTACT: BERYLLIUM COPPER
INSULATOR: NORYL

PERFORMANCE:
IMPEDANCE: 50 OHMS
FREQUENCY: DC TO 26.5 GHz
VSWR: ≤ 1.2

THIS DOCUMENT CONTAINS CONFIDENTIAL AND PROPRIETARY INFORMATION THAT CANNOT BE REPRODUCED OR DIVULGED, IN WHOLE OR IN PART, WITHOUT WRITTEN AUTHORIZATION FROM "LANJIAN ELECTRONICS"

MATERIAL :		UNLESS OTHERWISE SPECIFIED: DIMENSIONS IN MM	
TOLERANCES :			
XX	± 0.20	ANGULAR :	$\pm 1^\circ$
XXX	± 0.10	FILETS R/C :	± 0.10
X.XXX	± 0.01	SURFACE FINISH :	Ra 1.6
NAME	DATE	DEBURR AND BREAK SHARP EDGES	SIGNATURE
DRAWN	X.C.W	04/21/2022	
CHKD	H.Z.Y	04/21/2022	
APPRVD	H.Z.Y	04/21/2022	
MFG			
PROJECTION	SIZE	SCALE	
	A3	8:1	

LANJIAN ELECTRONICS
38 Hengtong Road, Xinqu Dingmao
Zhenjiang, 212009, Jiangsu, P. R. China

TITLE
3.5/SMP-1K

DWG No. GCP Z3.640.F.022

DO NOT SCALE THE DRAWING

REV. A

1 / 1