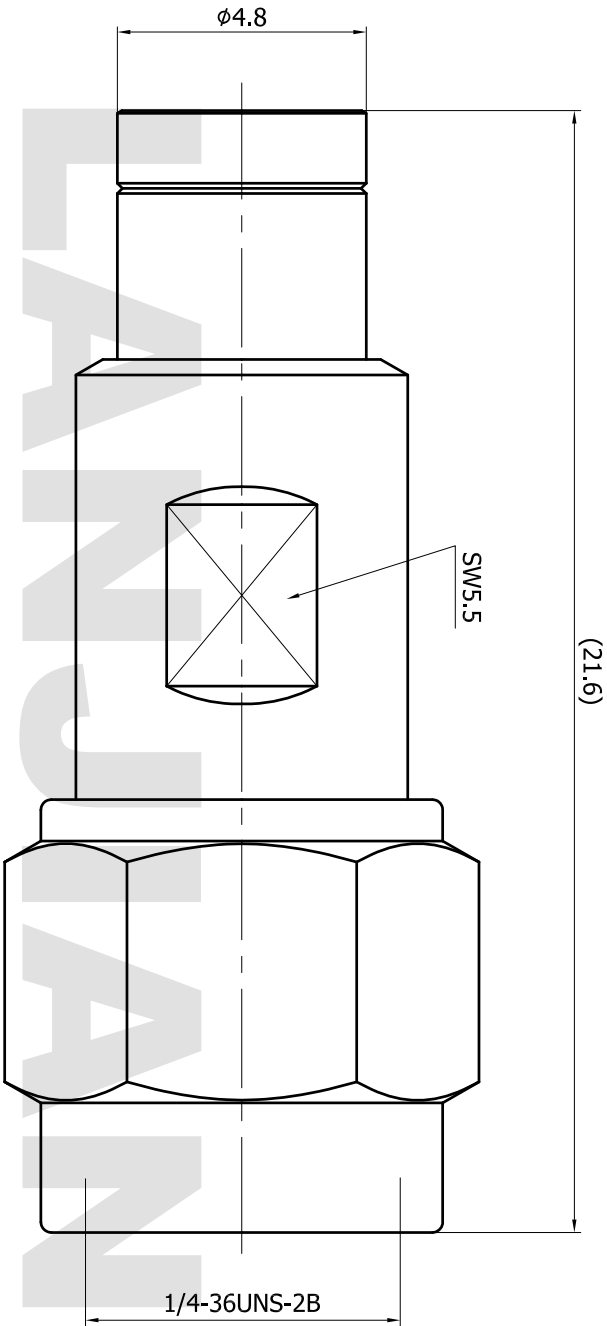


# PRODUCT DATA SHEET



**MATERIAL:**  
BODY: STAINLESS STEEL  
CONTACT: BERYLLIUM COPPER  
INSULATOR: PEI

**PERFORMANCE:**  
IMPEDANCE: 50 OHMS  
FREQUENCY: DC~ TO 40 GHZ  
VSWR: ≤1.25

THIS DOCUMENT CONTAINS CONFIDENTIAL AND PROPRIETARY INFORMATION THAT CANNOT BE REPRODUCED OR DIVULGED, IN WHOLE OR IN PART, WITHOUT WRITTEN AUTHORIZATION FROM "LANJIAN ELECTRONICS"

MATERIAL :		UNLESS OTHERWISE SPECIFIED: DIMENSIONS IN MM	
TOLERANCES :		ANGULAR : ± 1°	
XX ± 0.20	XX ± 0.10	FILETS R/C : ± 0.10	DEBURR AND BREAK SHARP EDGES
XX ± 0.01	XX ± 0.01	SURFACE FINISH : Ra 1.6	
DRAWN	X.C/W	DATE	SIGNATURE
CHKD	H.Z.Y	10/20/2022	
APPRVD	H.Z.Y	10/20/2022	
MFG			

**LANJIAN ELECTRONICS**  
38 Hengtong Road, Xinqu Dingmao  
Zhenjiang, 212009, Jiangsu, P. R. China

TITLE  
**2.92/SMP-JJ-LF-1**

DWG No.

DO NOT SCALE THE DRAWING

REV. A  
1 / 1

