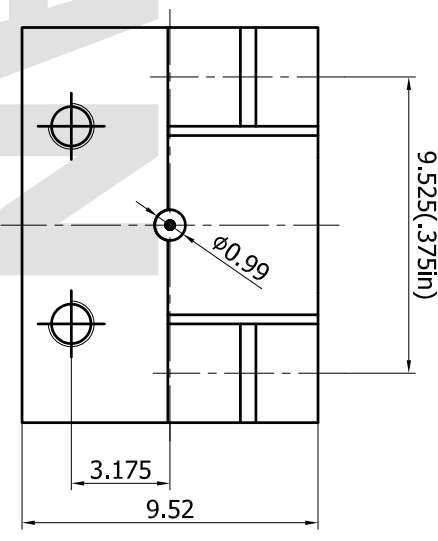
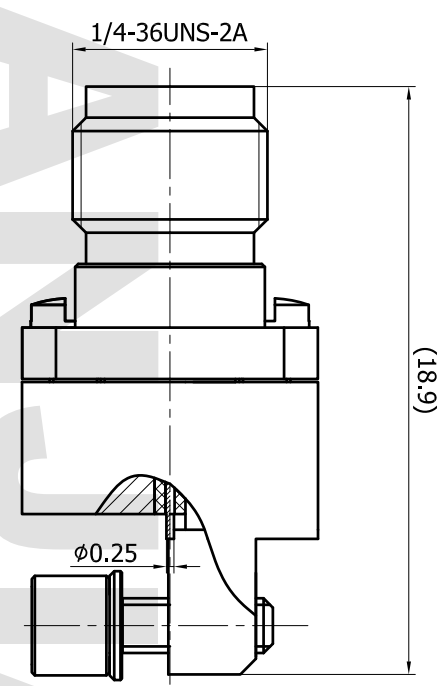
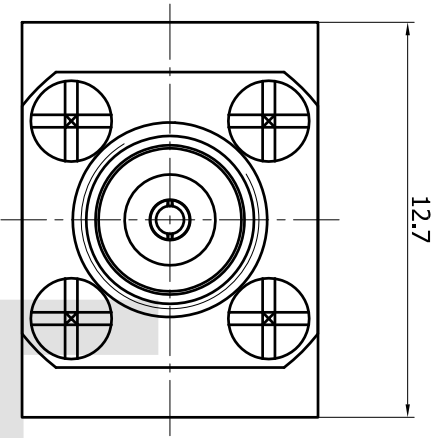


PRODUCT DATA SHEET



MATERIAL:
 BODY: STAINLESS STEEL
 CONTACT: BERYLLIUM COPPER
 INSULATOR: PEI

PERFORMANCE:
 IMPEDANCE: 50 OHMS
 FREQUENCY: DC TO 40GHZ
 VSWR: ≤1.30

THIS DOCUMENT CONTAINS CONFIDENTIAL AND PROPRIETARY INFORMATION THAT CANNOT BE REPRODUCED OR DIVULGED, IN WHOLE OR IN PART, WITHOUT WRITTEN AUTHORIZATION FROM "LANJIAN ELECTRONICS"

MATERIAL : UNLESS OTHERWISE SPECIFIED: DIMENSIONS IN MM		DRAWN : X.C.W		DATE : 11/30/2021		SIGNATURE :	
TOLERANCES :		NAME :		DATE :		SIGNATURE :	
XX	±0.20	ANGULAR :	±1°	DEBURR AND			
XXX	±0.10	FILLETS R/C :	±0.10	BREAK SHARP			
X.XXX	±0.01	SURFACE FINISH :	Ra 1.6	EDGES			
CHKD	H.Z.Y	APPRVD	H.Z.Y	MFG			
PROJECTION	SIZE	SCALE					
	A3	10:1					

LANJIAN ELECTRONICS
 38 Hengtong Road, Xinqu Dingmao
 Zhenjiang, 212009, Jiangsu, P. R. China

TITLE
2.92 EDGE LAUNCH

DWG No. GCPZ3.660.C.048
 DO NOT SCALE THE DRAWING

REV. A
 1 / 1