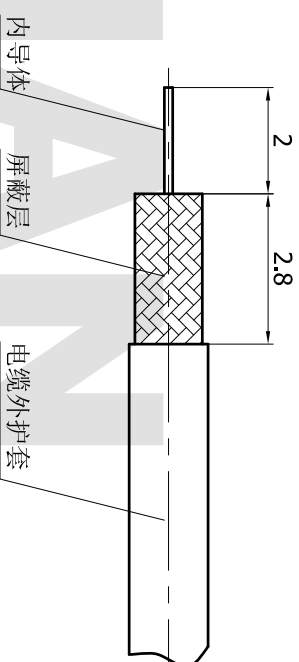
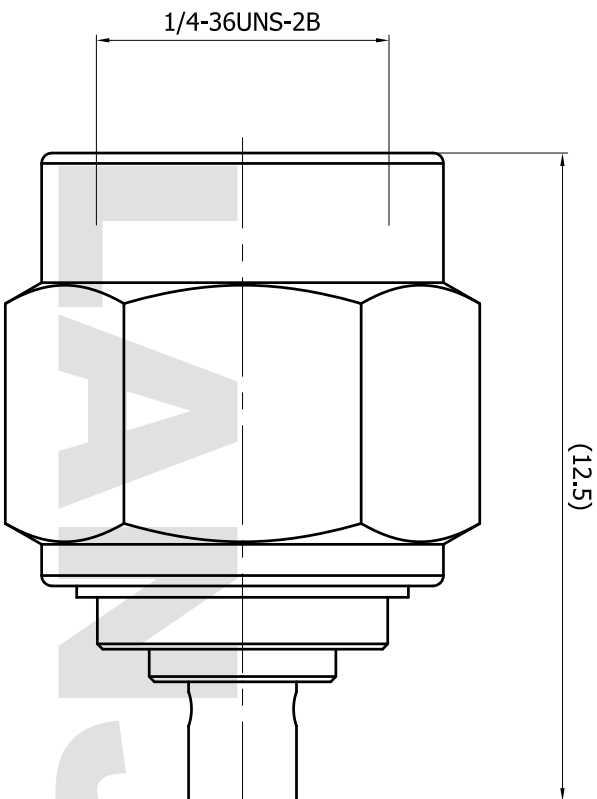


PRODUCT DATA SHEET



MATERIAL:
BODY: BERYLLIUM COPPER
CONTACT: BERYLLIUM COPPER
INSULATOR: PTFE

PERFORMANCE:
IMPEDANCE: 50 OHMS
FREQUENCY: DC~ TO 40 GHZ
VSWR: ≤1.35

THIS DOCUMENT CONTAINS CONFIDENTIAL AND PROPRIETARY INFORMATION THAT CANNOT BE REPRODUCED OR DIVULGED, IN WHOLE OR IN PART, WITHOUT WRITTEN AUTHORIZATION FROM "LANJIAN ELECTRONICS"

MATERIAL :		UNLESS OTHERWISE SPECIFIED: DIMENSIONS IN MM	
TOLERANCES :		ANGULAR : ±1°	
XX ±0.20	XX ±0.10	FILETS R/C : ±0.10	DEBURR AND BREAK SHARP EDGES
XX ±0.01		SURFACE FINISH : Ra 1.6	
NAME	DATE	SIGNATURE	
DRAWN X.C.W	12/21/2022		
CHKD H.Z.Y	12/21/2022		
APPRVD H.Z.Y	12/21/2022		
MFG			
PROJECTION	SIZE	SCALE	
	A3	8:1	

LANJIAN ELECTRONICS
38 Hengtong Road, Xinqu Dingmao
Zhenjiang, 212009, Jiangsu, P. R. China

TITLE
2.92-J047-2-NM

DWG No. GCP23.650.C.024-NM
DO NOT SCALE THE DRAWING

REV. A
1 / 1