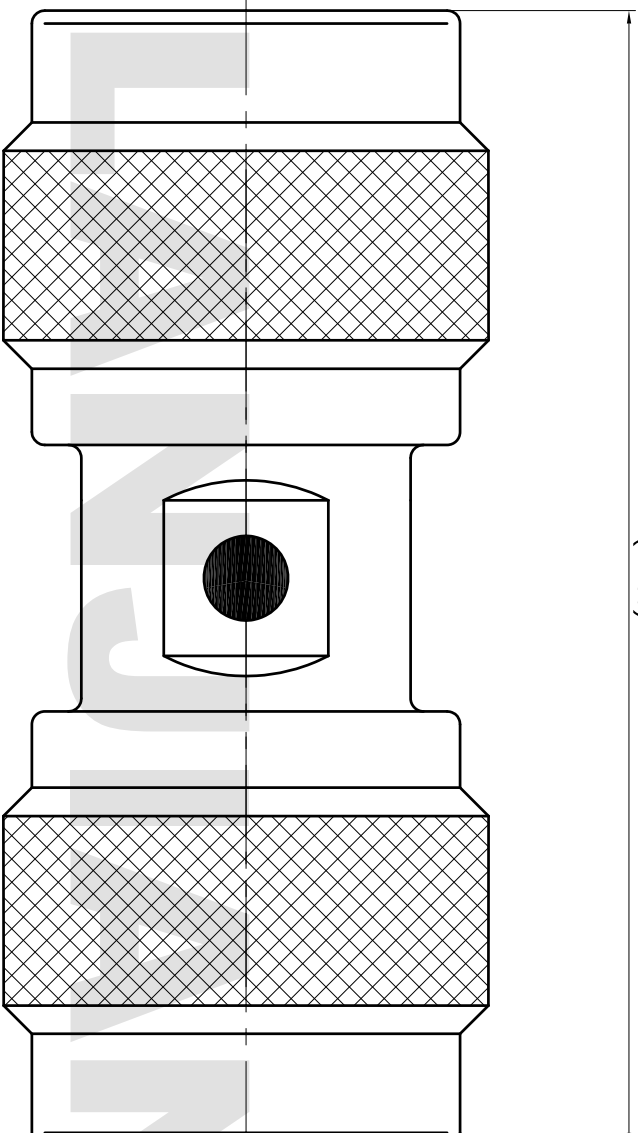


PRODUCT DATA SHEET



MATERIAL:
BODY: STAINLESS STEEL
CONTACT: BERYLLIUM COPPER
INSULATOR: PTFE

PERFORMANCE:
IMPEDANCE: 50 OHMS
FREQUENCY: DC TO 18 GHz
VSWR: ≤ 1.20

THIS DOCUMENT CONTAINS CONFIDENTIAL AND PROPRIETARY INFORMATION THAT CANNOT BE REPRODUCED OR DIVULGED, IN WHOLE OR IN PART, WITHOUT WRITTEN AUTHORIZATION FROM "LANJIAN ELECTRONICS"

MATERIAL :		UNLESS OTHERWISE SPECIFIED: DIMENSIONS IN MM	
TOLERANCES :		ANGULAR : $\pm 1^\circ$	
X.X	± 0.20	X.XX	± 0.10
X.XX	± 0.10	X.XXX	± 0.01
X.XXX	± 0.01	SURFACE FINISH : Ra 1.6	
NAME		DATE	SIGNATURE
DRAWN	X.C.W	04/21/2022	
CHK'D	H.Z.Y	04/21/2022	
APPR'VD	H.Z.Y	04/21/2022	
MFG			
PROJECTION	SIZE	SCALE	
	A3	4:1	

LANJIAN ELECTRONICS
38 Hengtong Road, Xinqu Dingmao
Zhenjiang, 212009, Jiangsu, P. R. China

TITLE
SMA-JQJQ

DWG No. GCPZ3.640.A.063
DO NOT SCALE THE DRAWING

REV.
A
1 / 1