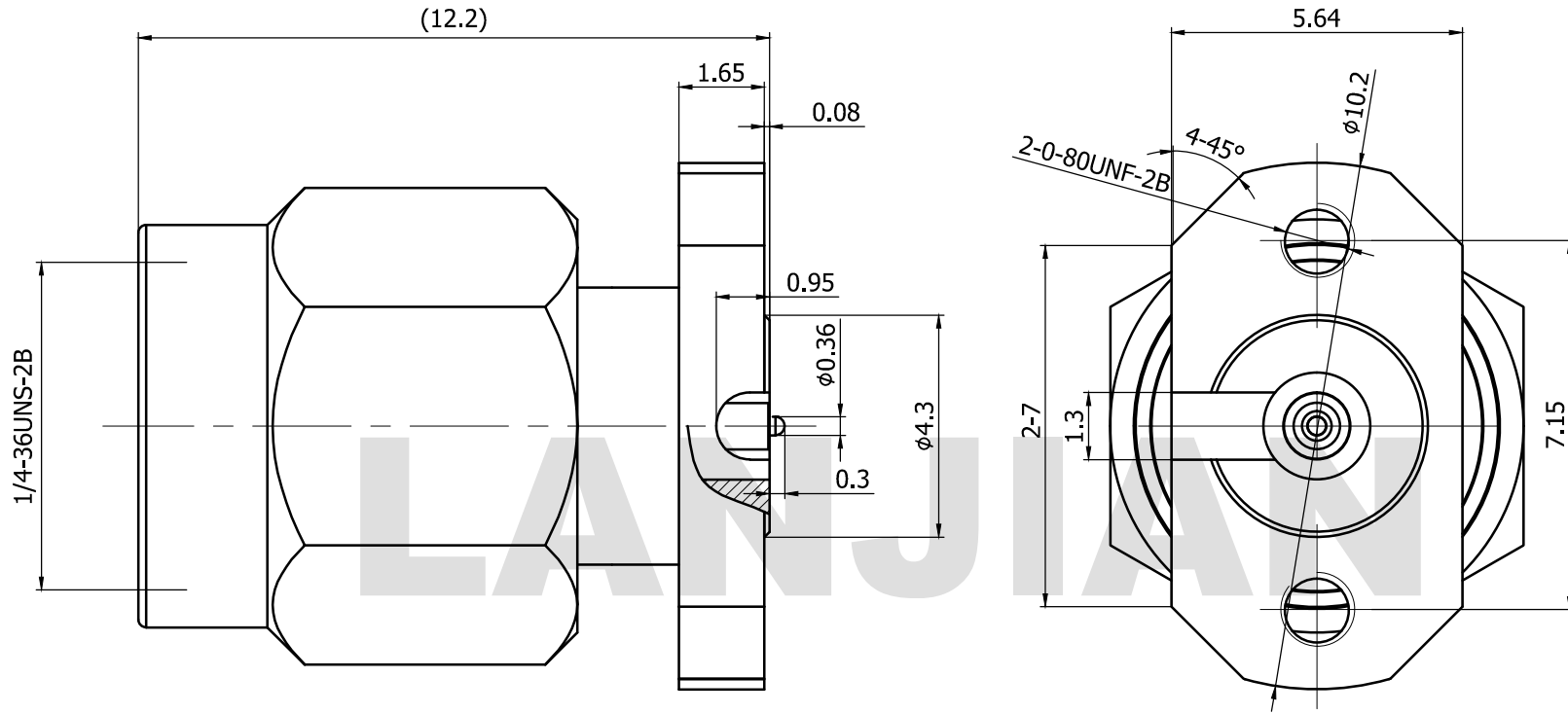


# PRODUCT DATA SHEET



**MATERIAL:**  
 BODY: STAINLESS STEEL  
 CONTACT: BRASS  
 INSULATOR: PTFE/PEI

**PERFORMANCE:**  
 IMPEDANCE: 50 OHMS  
 FREQUENCY: DC TO 26.5 GHz  
 VSWR: ≤1.30

THIS DOCUMENT CONTAINS CONFIDENTIAL AND PROPRIETARY INFORMATION THAT CANNOT BE REPRODUCED OR DIVULGED, IN WHOLE OR IN PART, WITHOUT WRITTEN AUTHORIZATION FROM "LANJIAN ELECTRONICS"	MATERIAL :			<b>LANJIAN ELECTRONICS</b> 38 Hengtong Road, Xinqu Dingmao Zhenjiang, 212009, Jiangsu, P. R. China	
	UNLESS OTHERWISE SPECIFIED: DIMENSIONS IN MM				
	TOLERANCES :				
	X.X	±0.20	ANGULAR : ±1°		DEBURR AND BREAK SHARP EDGES
	X.XX	±0.10	FILLETS R/C : ±0.10		
	X.XXX	±0.01	SURFACE FINISH : Ra 1.6		
		NAME	DATE		SIGNATURE
	DRAWN	X.C.W	07/15/2021		
	CHK'D	H.Z.Y	07/15/2021		
	APP'V'D	H.Z.Y	07/15/2021		
MFG					
PROJECTION	SIZE	SCALE			
	A3	10:1			
DO NOT SCALE THE DRAWING			DWG No. _____ REV. A PAGE 1 / 1		

**LANJIAN ELECTRONICS**  
 38 Hengtong Road, Xinqu Dingmao  
 Zhenjiang, 212009, Jiangsu, P. R. China

TITLE	
SMA-JFD2-102036SPW	
DWG No.	REV. A
PAGE 1 / 1	