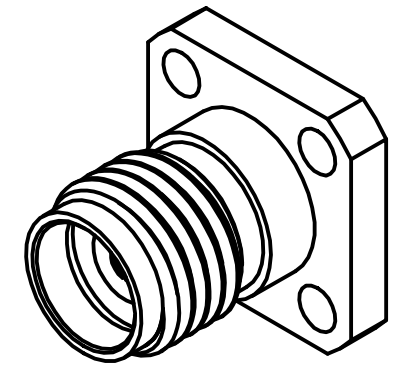
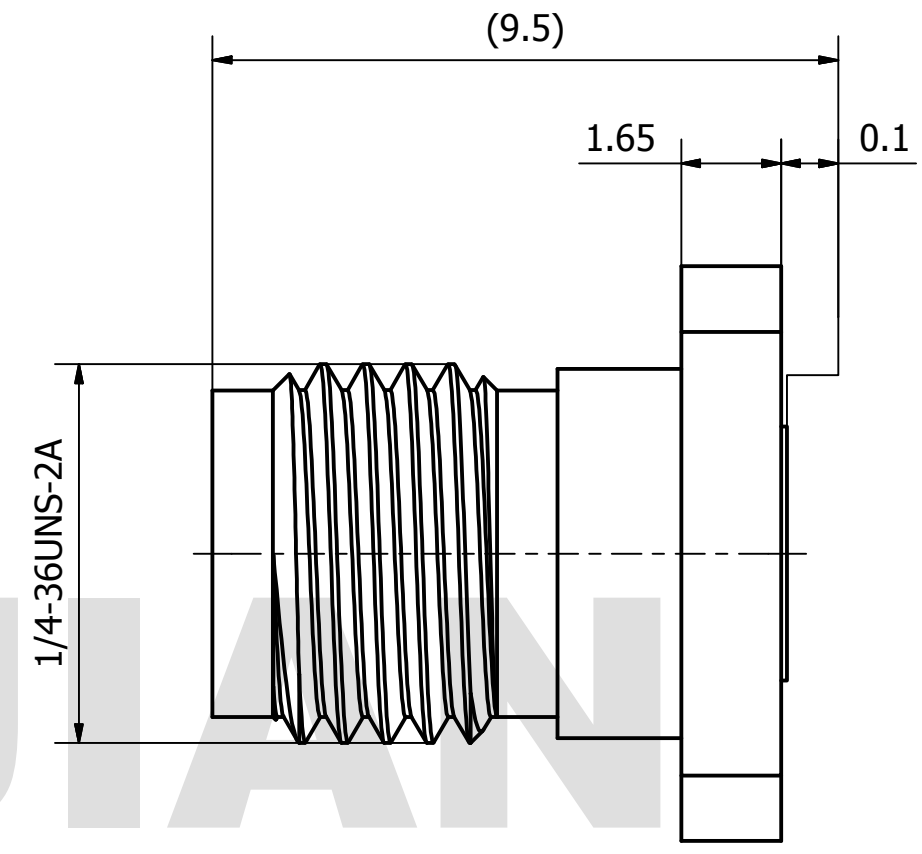
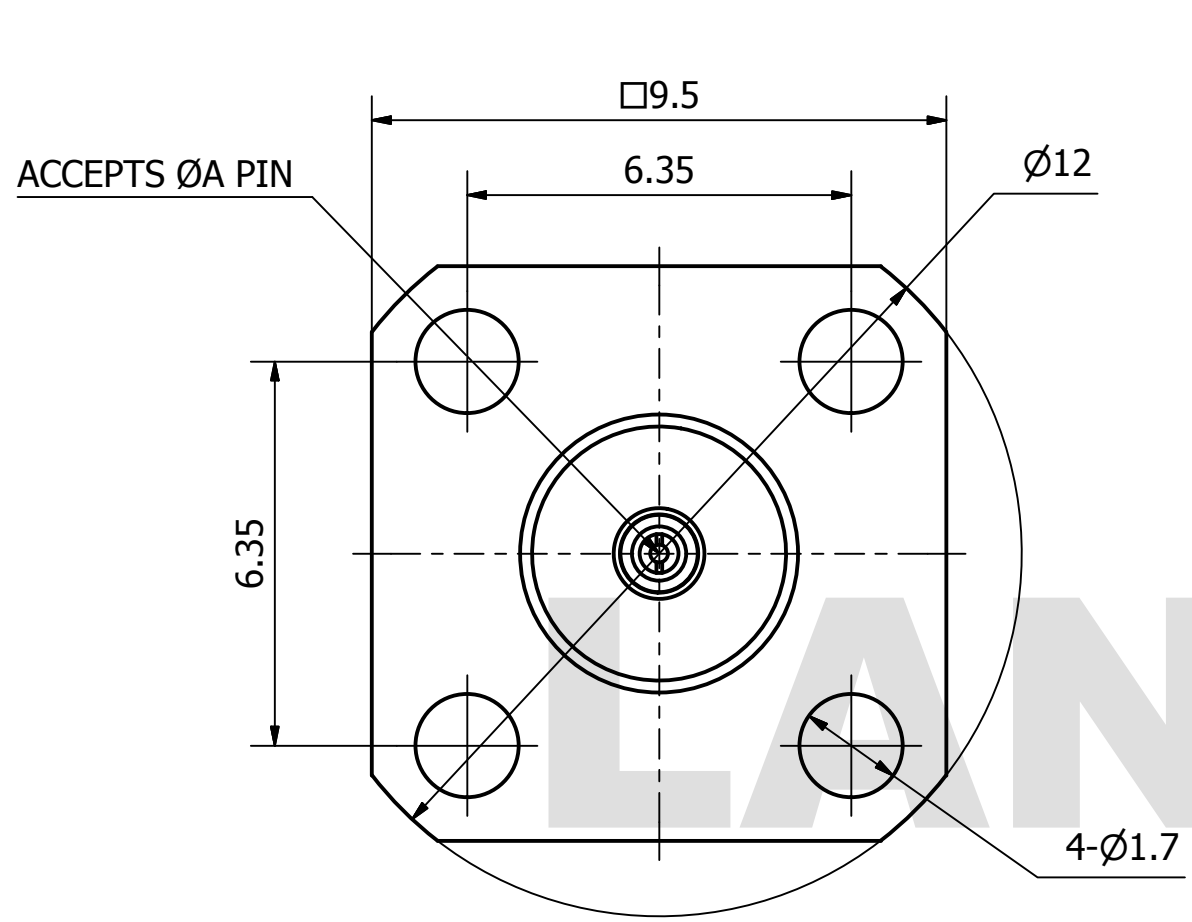


PRODUCT DATA SHEET



GCPZ3.660.C.0XXX	2.92-KFD4-0950XXX	A
GCPZ3.660.C.011A	2.92-KFD4-095030A	0.30
GCPZ3.660.C.016A	2.92-KFD4-095023A	0.23
GCPZ3.660.C.021A	2.92-KFD4-095051A	0.51

MATERIAL:
 BODY: STAINLESS STEEL PER AMS-5640,
 ALLOY UNS S30300
 CONTACT: BERYLLIUM COPPER PER ASTM B196.
 ALLOY NO. UNS C17300
 INSULATOR: PEI

PERFORMANCE:
 IMPEDANCE: 50 OHMS
 FREQUENCY: DC TO 40 GHz
 VSWR: ≤1.25

THIS DOCUMENT CONTAINS CONFIDENTIAL AND PROPRIETARY INFORMATION THAT CANNOT BE REPRODUCED OR DIVULGED, IN WHOLE OR IN PART, WITHOUT WRITTEN AUTHORIZATION FROM "LANJIAN ELECTRONICS"	MATERIAL :		
	UNLESS OTHERWISE SPECIFIED: DIMENSIONS IN MM		
	TOLERANCES :		
	X.X	±0.20	ANGULAR : ±1°
	X.XX	±0.10	FILLETS R/C : ±0.10
	X.XXX	±0.01	SURFACE FINISH : Ra 1.6
			DEBURR AND BREAK SHARP EDGES
	NAME	DATE	SIGNATURE
DRAWN	YaoJiang	08/14/2018	
CHK'D	HongZhongYan	08/14/2018	
APPV'D	HongZhongYan	08/14/2018	
MFG			
PROJECTION		SIZE	SCALE
		A3	8 : 1

LANJIAN ELECTRONICS
 38 Hengtong Road, Xinqu Dingmao
 Zhenjiang, 212009, Jiangsu, P. R. China

TITLE
2.92-KFD4-0950XXX
 straight jack connector

DWG No. GCPZ3.660.C.0XXX	REV. A
DO NOT SCALE THE DRAWING	
PAGE 1 / 1	