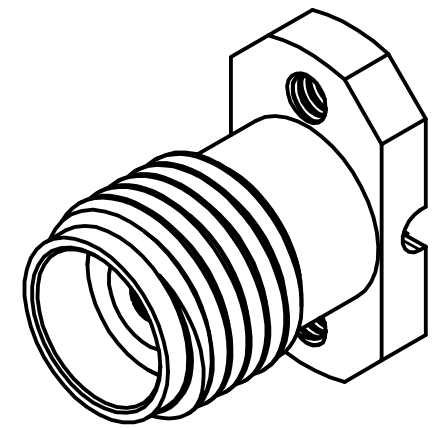
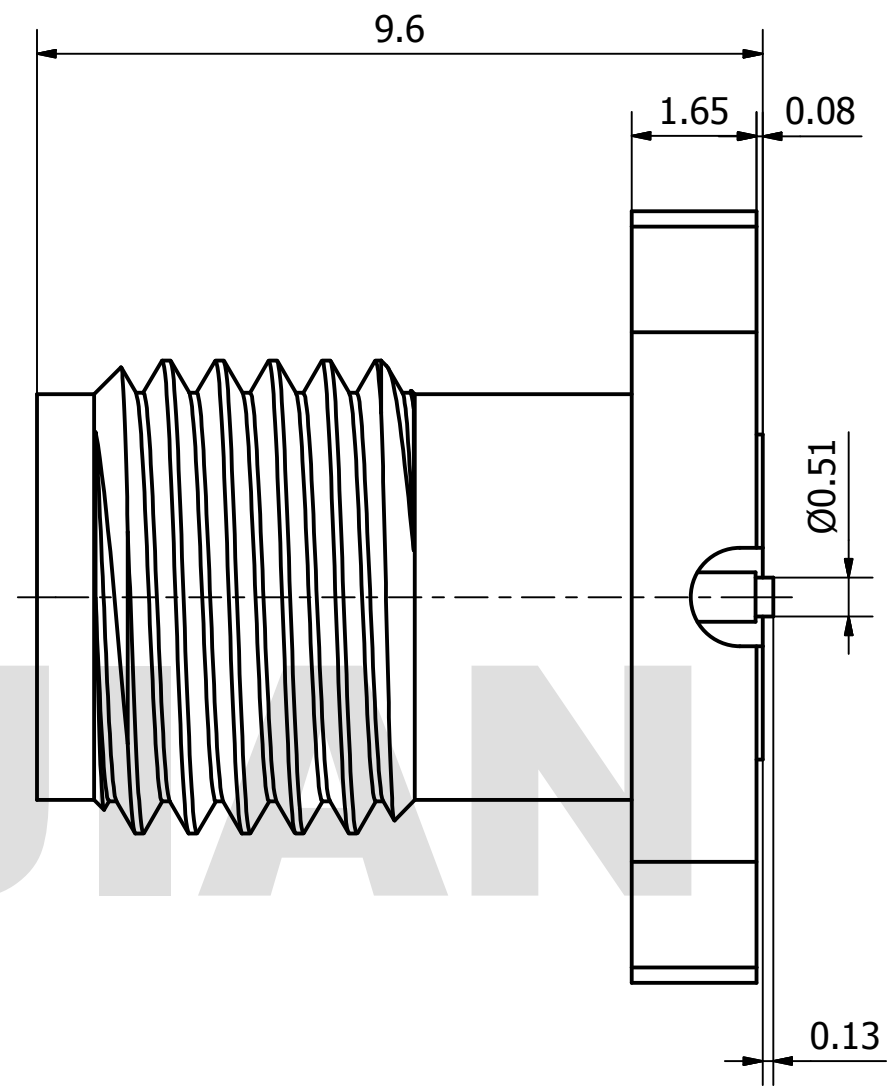
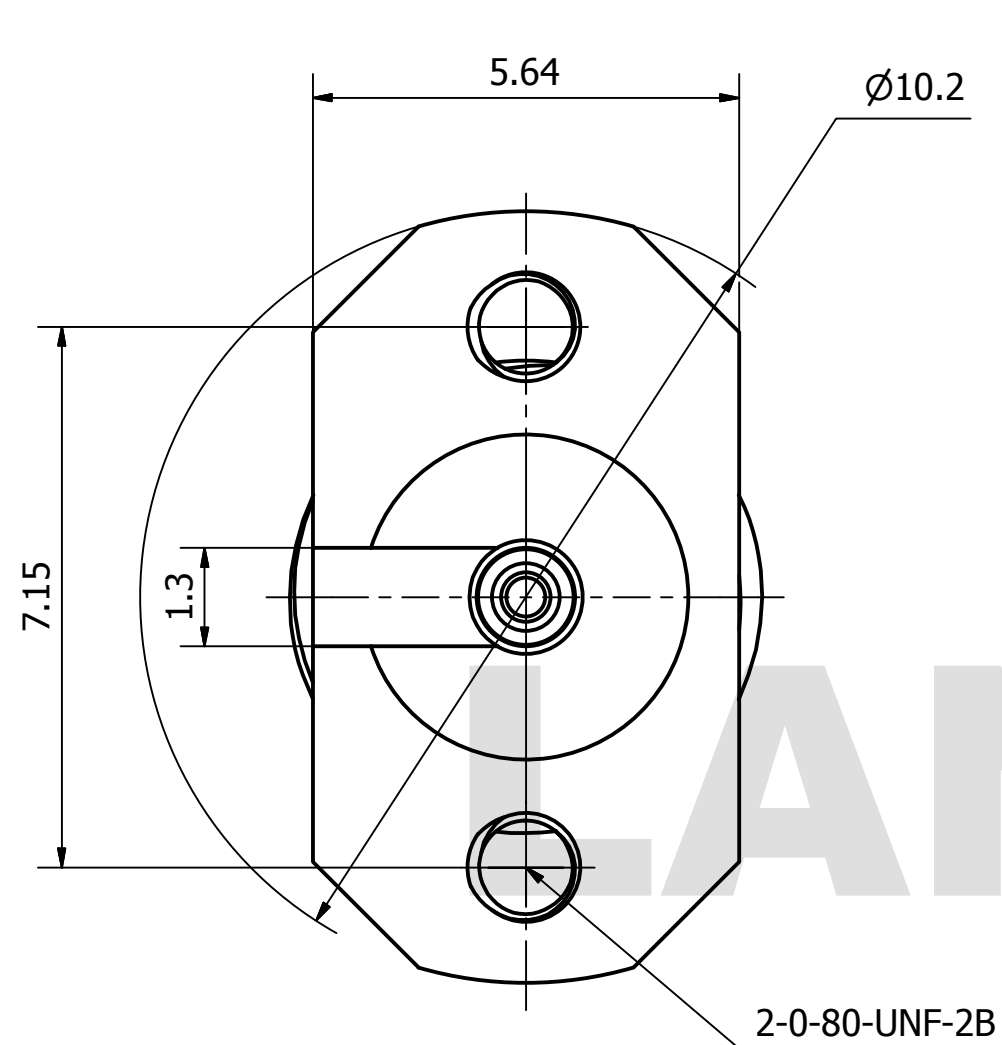


PRODUCT DATA SHEET



MATERIAL:
 BODY: STAINLESS STEEL PER AMS-5640,
 ALLOY UNS S30300
 CONTACT: BERYLLIUM COPPER PER ASTM B196.
 ALLOY NO. UNS C17300
 INSULATOR: PEI

PERFORMANCE:
 IMPEDANCE: 50 OHMS
 FREQUENCY: DC TO 40 GHz
 VSWR: ≤1.25

| | | | |
|--|--|--------------|------------------------------|
| THIS DOCUMENT CONTAINS CONFIDENTIAL AND PROPRIETARY INFORMATION THAT CANNOT BE REPRODUCED OR DIVULGED, IN WHOLE OR IN PART, WITHOUT WRITTEN AUTHORIZATION FROM "LANJIAN ELECTRONICS" | MATERIAL : | | |
| | UNLESS OTHERWISE SPECIFIED: DIMENSIONS IN MM | | |
| | TOLERANCES : | | |
| | X.X | ± 0.20 | ANGULAR : ± 1° |
| | X.XX | ± 0.10 | FILLETS R/C : ± 0.10 |
| | X.XXX | ± 0.01 | SURFACE FINISH : Ra 1.6 |
| | | | DEBURR AND BREAK SHARP EDGES |
| | | NAME | DATE |
| | DRAWN | YaoJiang | 08/14/2018 |
| | CHK'D | HongZhongYan | 08/14/2018 |
| APPV'D | HongZhongYan | 08/14/2018 | |
| MFG | | | |
| PROJECTION | | SIZE | SCALE |
| | | A3 | 10 : 1 |

38 Hengtong Road, Xinqu Dingmao
Zhenjiang, 212009, Jiangsu, P. R. China

| | |
|--|-----------|
| TITLE | |
| 2.92-KFD2-102051PW straight jack microstrip connector | |
| DWG No. GCPZ3.660.C.038 | REV. A |
| DO NOT SCALE THE DRAWING | |
| PAGE 1 / 1 | |