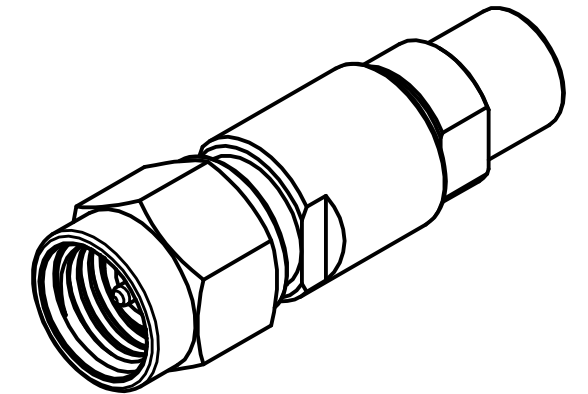
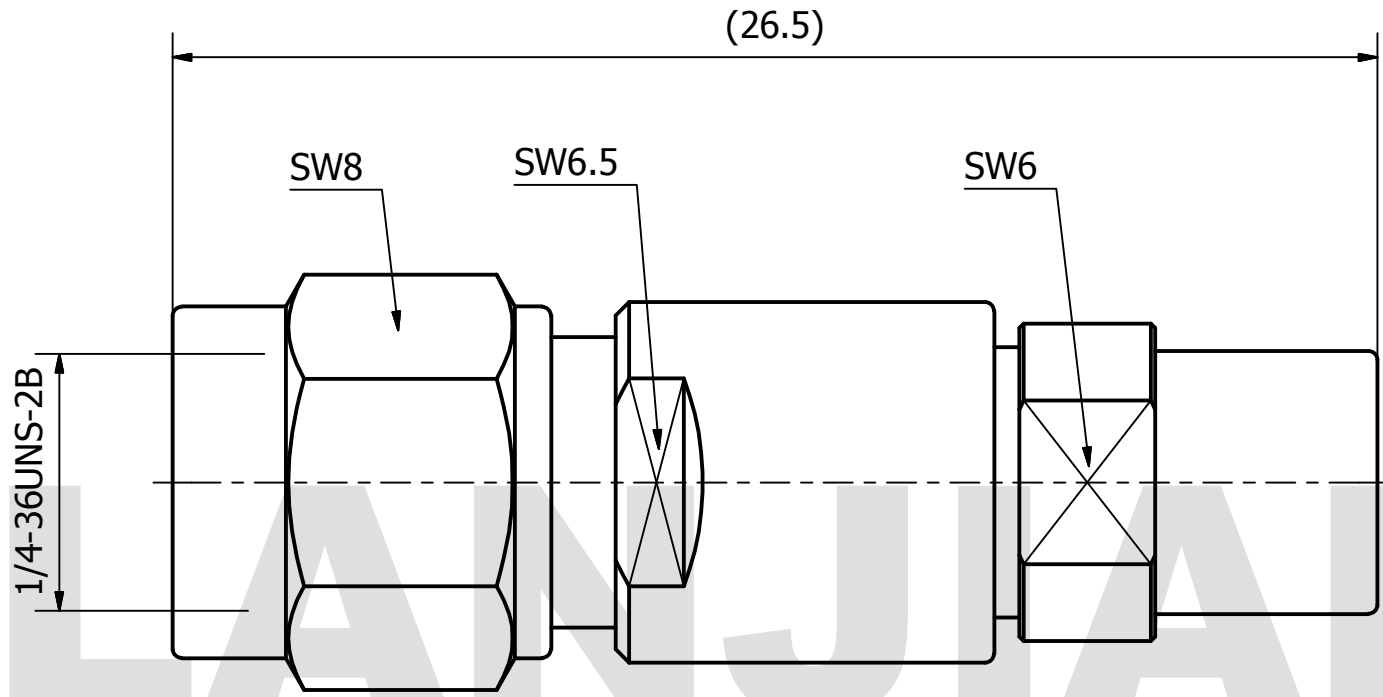


# PRODUCT DATA SHEET



**MATERIAL:**  
 BODY: STAINLESS STEEL PER AMS-5640,  
 ALLOY UNS S30300  
 CONTACT: BERYLLIUM COPPER PER ASTM B196.  
 ALLOY NO. UNS C17300  
 INSULATOR: PEI

**PERFORMANCE:**  
 IMPEDANCE: 50 OHMS  
 FREQUENCY: DC TO 40 GHz  
 VSWR: ≤1.30

|  |  |              |                              |
|--|--|--------------|------------------------------|
| THIS DOCUMENT CONTAINS CONFIDENTIAL AND PROPRIETARY INFORMATION THAT CANNOT BE REPRODUCED OR DIVULGED, IN WHOLE OR IN PART, WITHOUT WRITTEN AUTHORIZATION FROM "LANJIAN ELECTRONICS" | MATERIAL :                                   |              |                              |
|  | UNLESS OTHERWISE SPECIFIED: DIMENSIONS IN MM |              |                              |
|  | TOLERANCES :                                 |              |                              |
|  | X.X  | ± 0.20       | ANGULAR : ± 1°               |
|  | X.XX   | ± 0.10       | FILLETS R/C : ± 0.10         |
|  | X.XXX  | ± 0.01       | SURFACE FINISH : Ra 1.6      |
|  |  |              | DEBURR AND BREAK SHARP EDGES |
|  |  | NAME         | DATE                         |
|  | DRAWN  | YaoJiang     | 10/09/2019                   |
|  | CHK'D  | HongZhongYan | 10/09/2019                   |
| APPV'D   | HongZhongYan                                 | 10/09/2019   |                              |
| MFG  |  |              |                              |
| PROJECTION   |  | SIZE         | SCALE                        |
|  |  | A3           | 6 : 1                        |

**LANJIAN ELECTRONICS**

38 Hengtong Road, Xinqu Dingmao  
 Zhenjiang, 212009, Jiangsu, P. R. China

TITLE  
**2.92-J1571**  
 straight pin cable connector

|                            |               |
|----------------------------|---------------|
| DWG No.<br>GCPZ3.650.C.038 | REV.<br>A     |
| DO NOT SCALE THE DRAWING   | PAGE<br>1 / 1 |