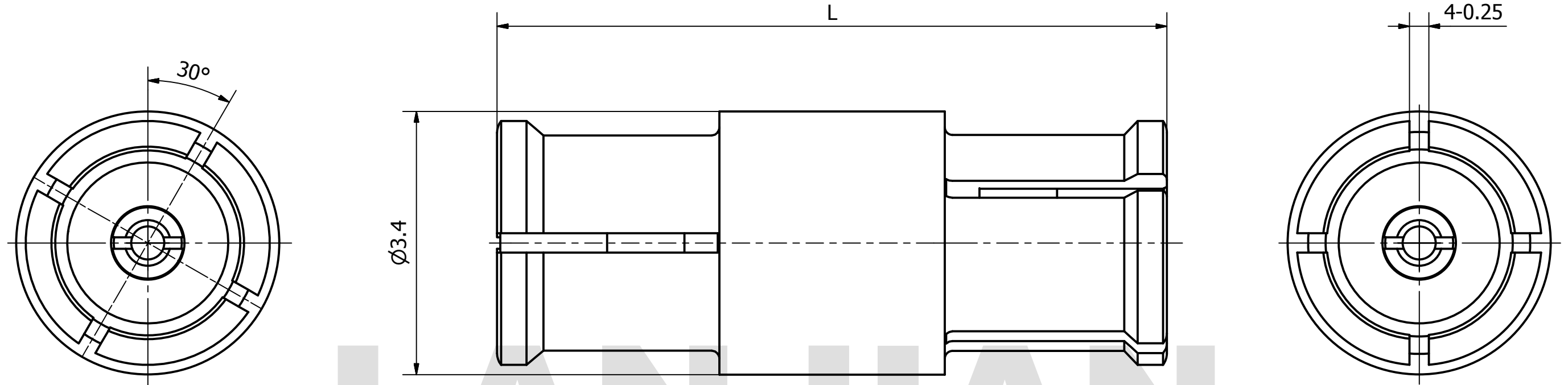
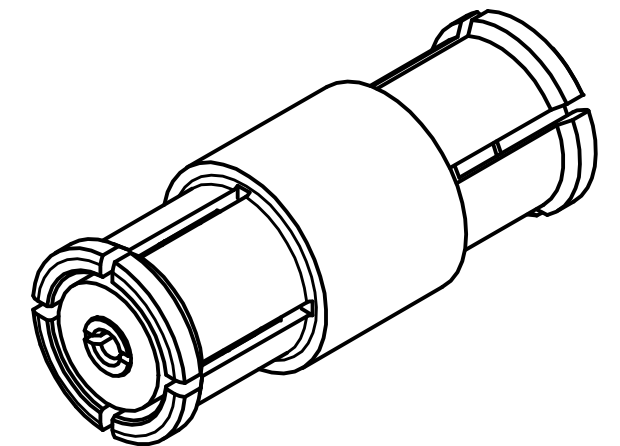


# PRODUCT DATA SHEET



Number	Title	L
GCPZ3.640.G.001	SMP-KK-6.45	6.45
GCPZ3.640.G.002	SMP-KK5-11	11
GCPZ3.640.G.003	SMP-KK26-9.45	9.45
GCPZ3.640.G.005	SMP-KK4-8.65	8.65
GCPZ3.640.G.012	SMP-KK-5.69	5.69



**MATERIAL:**  
 BODY: BERYLLIUM COPPER PER ASTM B196.  
 ALLOY NO. UNS C17300  
 CONTACT: BERYLLIUM COPPER PER ASTM B196.  
 ALLOY NO. UNS C17300  
 INSULATOR: PTFE PER ASTM D1710

**PERFORMANCE:**  
 IMPEDANCE: 50 OHMS  
 FREQUENCY: DC TO 40 GHz  
 VSWR:  $\leq 1.25$  (DC-26.5 GHz)  
 $\leq 1.50$  (26.5-40 GHz)

THIS DOCUMENT CONTAINS CONFIDENTIAL AND PROPRIETARY INFORMATION THAT CANNOT BE REPRODUCED OR DIVULGED, IN WHOLE OR IN PART, WITHOUT WRITTEN AUTHORIZATION FROM "LANJIAN ELECTRONICS"	MATERIAL :			<b>LANJIAN ELECTRONICS</b> 38 Hengtong Road, Xinqu Dingmao Zhenjiang, 212009, Jiangsu, P. R. China
	UNLESS OTHERWISE SPECIFIED: DIMENSIONS IN MM			
	TOLERANCES :			
	X.X	$\pm 0.20$	ANGULAR : $\pm 1^\circ$	DEBURR AND BREAK SHARP EDGES
	X.XX	$\pm 0.10$	FILLETS R/C : $\pm 0.10$	
	X.XXX	$\pm 0.01$	SURFACE FINISH : Ra 1.6	
	NAME	DATE	SIGNATURE	
DRAWN				
CHK'D				
APPV'D				
MFG				
PROJECTION		SIZE	SCALE	DWG No. GCPZ3.640.G.0XX DO NOT SCALE THE DRAWING
		A3	18: 1	
				REV. PAGE 1 / 1

SMP-KK straight adaptor