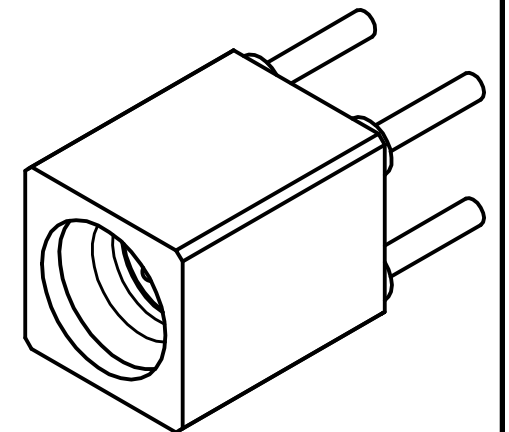
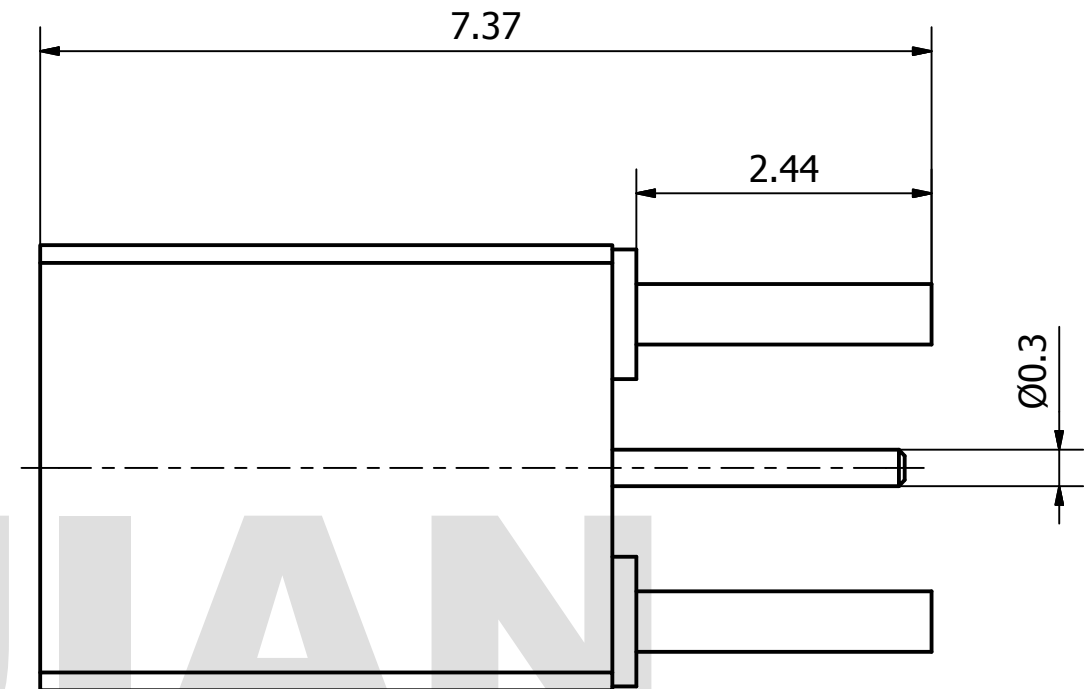
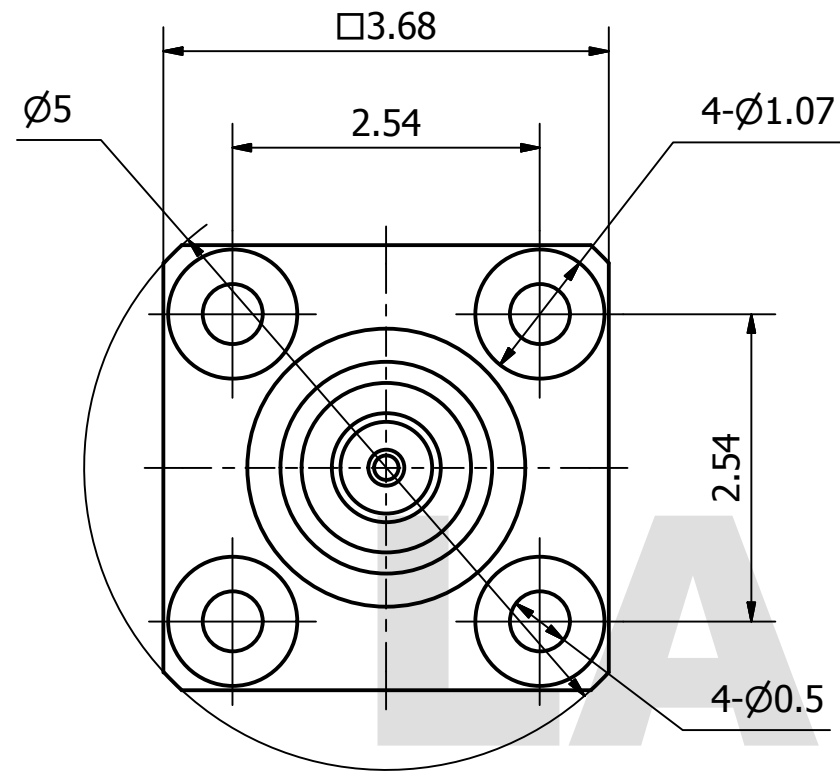


PRODUCT DATA SHEET



MATERIAL:
 BODY: BERYLLIUM COPPER PER ASTM B196.
 ALLOY NO. UNS C17300
 CONTACT: BERYLLIUM COPPER PER ASTM B196.
 ALLOY NO. UNS C17300
 INSULATOR: PTFE PER ASTM D1710

PERFORMANCE:
 IMPEDANCE: 50 OHMS
 FREQUENCY: DC TO 50 GHz
 VSWR: ≤ 1.35

THIS DOCUMENT CONTAINS CONFIDENTIAL AND PROPRIETARY INFORMATION THAT CANNOT BE REPRODUCED OR DIVULGED, IN WHOLE OR IN PART, WITHOUT WRITTEN AUTHORIZATION FROM "LANJIAN ELECTRONICS"

MATERIAL :			
UNLESS OTHERWISE SPECIFIED: DIMENSIONS IN MM			
TOLERANCES :			
X.X	± 0.10	ANGULAR : ± 30'	DEBURR AND BREAK SHARP EDGES
X.XX	± 0.05	FILLETS R/C : ± 0.10	
X.XXX	± 0.005	SURFACE FINISH : Ra 0.8	
	NAME	DATE	SIGNATURE
DRAWN			
CHK'D			
APPV'D			
MFG			
PROJECTION		SIZE	SCALE
		A3	16 : 1

LANJIAN ELECTRONICS	
38 Hengtong Road, Xinqu Dingmao Zhenjiang, 212009, Jiangsu, P. R. China	
TITLE	
650.H.004-SMPM-JHD straight connector	
DWG No.	REV.
GCPZ3.650.H.004	
DO NOT SCALE THE DRAWING	
PAGE	PAGE
1 / 1	1 / 1