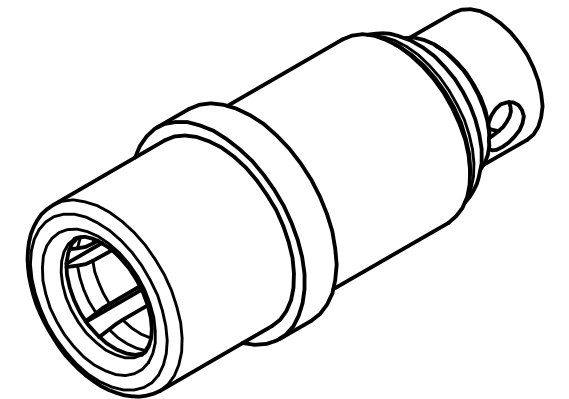
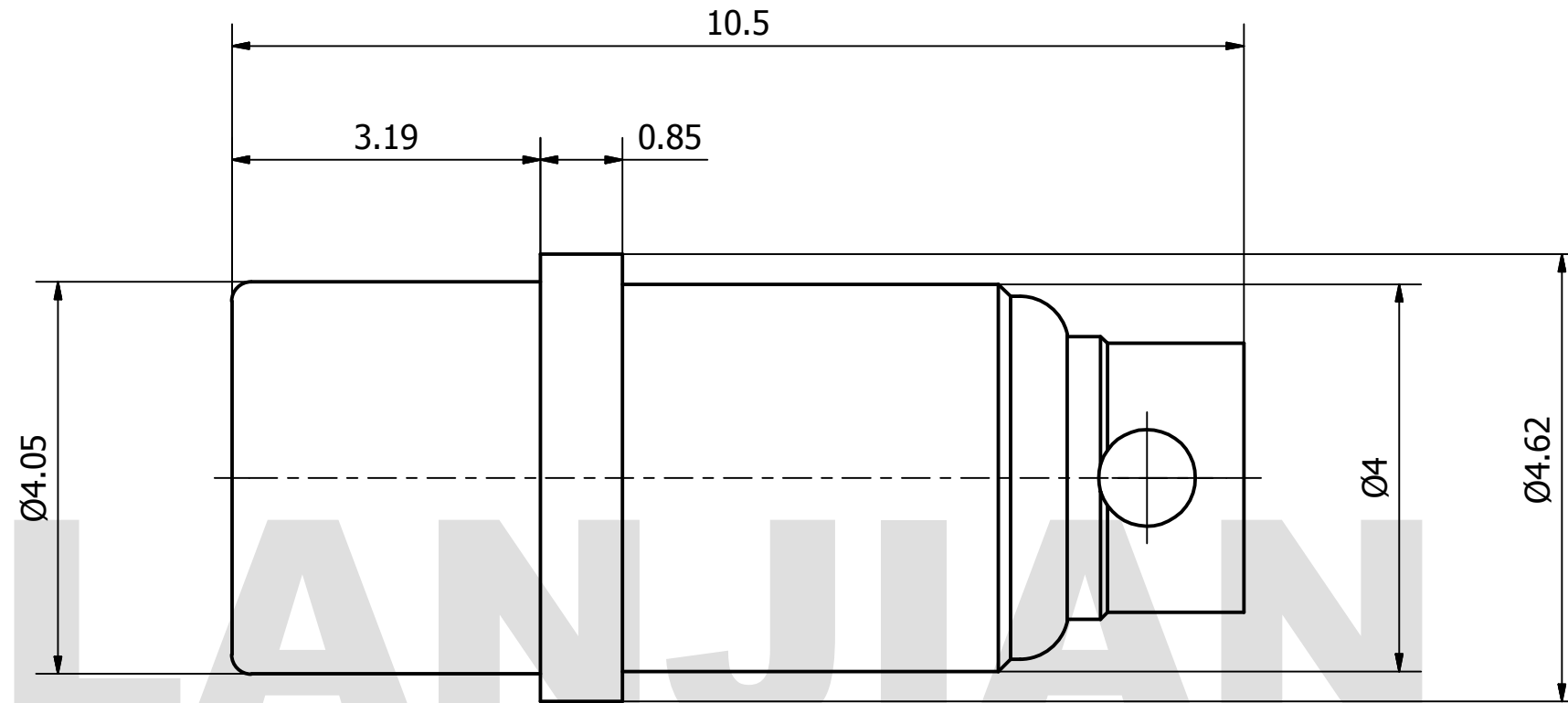


PRODUCT DATA SHEET



MATERIAL:
 BODY: BRASS
 CONTACT: BERYLLIUM COPPER PER ASTM B196.
 ALLOY NO. UNS C17300
 INSULATOR: PEI

PERFORMANCE:
 IMPEDANCE: 50 OHMS
 FREQUENCY: DC-40 GHz
 VSWR: ≤1.50

THIS DOCUMENT CONTAINS CONFIDENTIAL AND PROPRIETARY INFORMATION THAT CANNOT BE REPRODUCED OR DIVULGED, IN WHOLE OR IN PART, WITHOUT WRITTEN AUTHORIZATION FROM "LANJIAN ELECTRONICS"	MATERIAL :			LANJIAN ELECTRONICS 38 Hengtong Road, Xinqu Dingmao Zhenjiang, 212009, Jiangsu, P. R. China		
	UNLESS OTHERWISE SPECIFIED: DIMENSIONS IN MM					
	TOLERANCES :			TITLE SMPM-J3605-2 straight pin cable connector		
	X.X	± 0.10	ANGULAR : ± 30'			DEBURR AND BREAK SHARP EDGES
	X.XX	± 0.05	FILLETS R/C : ± 0.10			
	X.XXX	± 0.005	SURFACE FINISH : Ra 0.8			
		NAME	DATE	SIGNATURE	DWG No. GCPZ3.650.H.006 REV. A DO NOT SCALE THE DRAWING PAGE 1 / 1	
DRAWN	YaoJiang	12/07/2018				
CHK'D	HongZhongYan	12/07/2018				
APPV'D	HongZhongYan	12/07/2018				
MFG						
PROJECTION		SIZE	SCALE			
		A3	14 : 1			