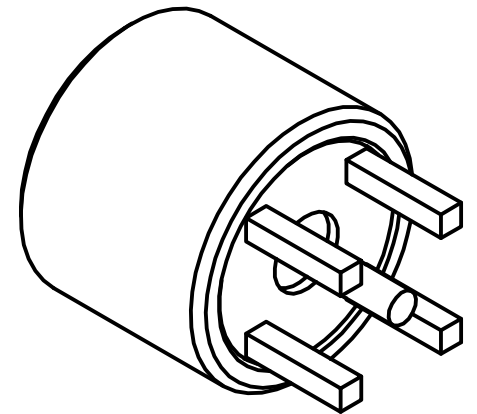
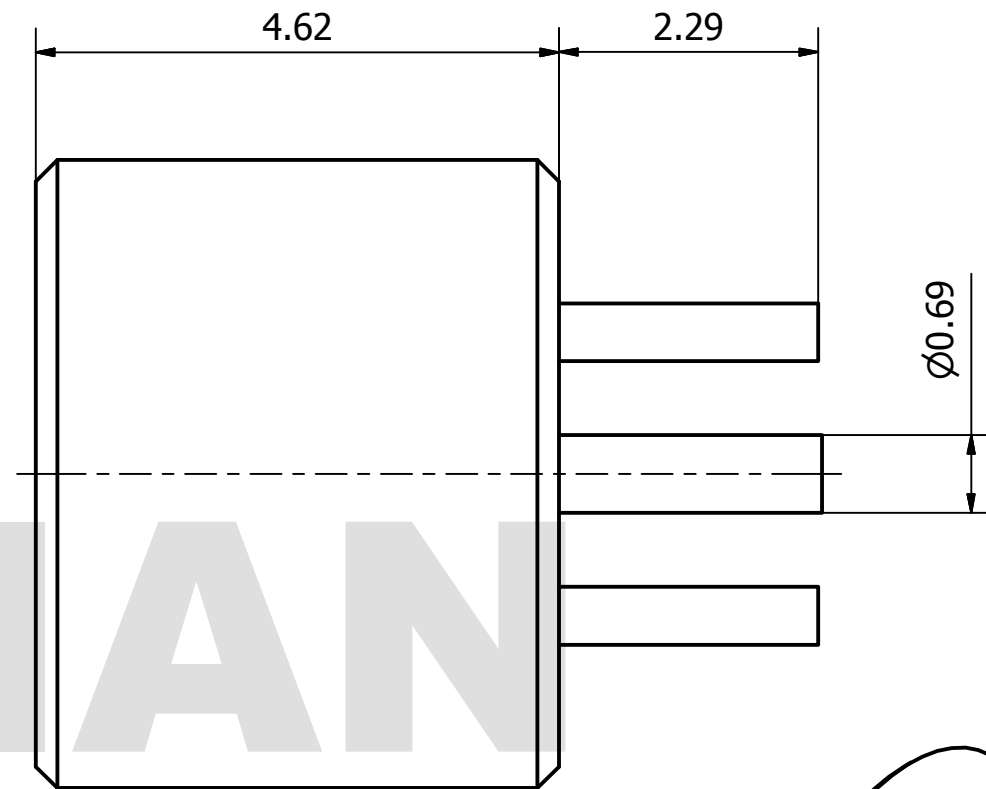
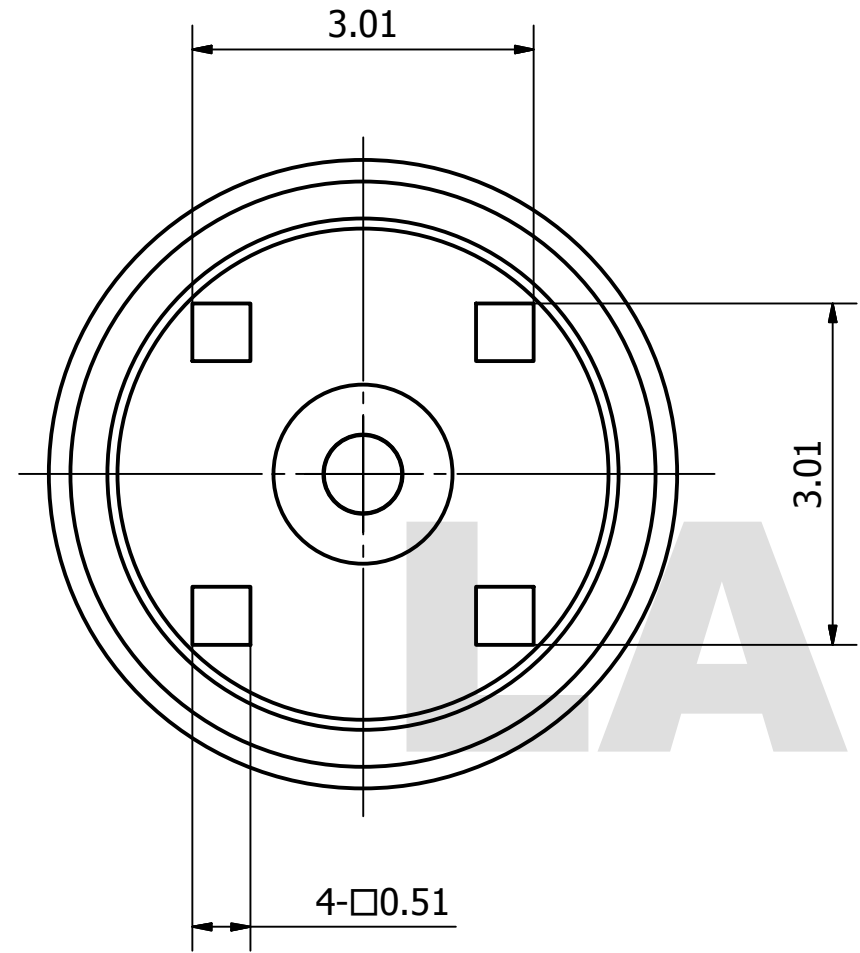


PRODUCT DATA SHEET



MATERIAL:
BODY: STAINLESS STEEL PER AMS-5640,
 ALLOY UNS S30300
 BERYLLIUM COPPER PER ASTM B196.
 ALLOY NO. UNS C17300
CONTACT: BERYLLIUM COPPER PER ASTM B196.
 ALLOY NO. UNS C17300
INSULATOR: PTFE PER ASTM D1710

THIS DOCUMENT CONTAINS CONFIDENTIAL AND PROPRIETARY INFORMATION THAT CANNOT BE REPRODUCED OR DIVULGED, IN WHOLE OR IN PART, WITHOUT WRITTEN AUTHORIZATION FROM "LANJIAN ELECTRONICS"

| | | | |
|--|--------|-------------------------|------------------------------------|
| MATERIAL : | | | |
| UNLESS OTHERWISE SPECIFIED: DIMENSIONS IN MM | | | |
| TOLERANCES : | | | |
| X.X | ± 0.20 | ANGULAR : ± 1° | DEBURR AND BREAK SHARP EDGES |
| X.XX | ± 0.10 | FILLETS R/C : ± 0.10 | |
| X.XXX | ± 0.01 | SURFACE FINISH : Ra 1.6 | |
| | NAME | DATE | SIGNATURE |
| DRAWN | | | |
| CHK'D | | | |
| APPV'D | | | |
| MFG | | | |
| PROJECTION | | SIZE | SCALE |
| | | A3 | 15 : 1 |

LANJIAN ELECTRONICS
 38 Hengtong Road, Xinqu Dingmao
 Zhenjiang, 212009, Jiangsu, P. R. China

TITLE
SMP01036-1111
PCB connector

| | |
|----------------------------|---------------|
| DWG No. GCPZ3.650.G.001 | REV. |
| DO NOT SCALE THE DRAWING | PAGE 1 / 1 |