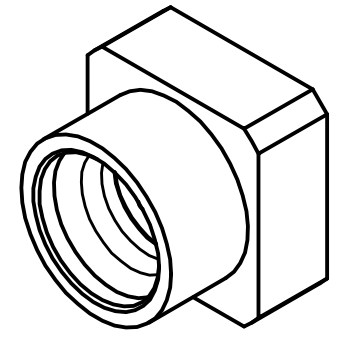
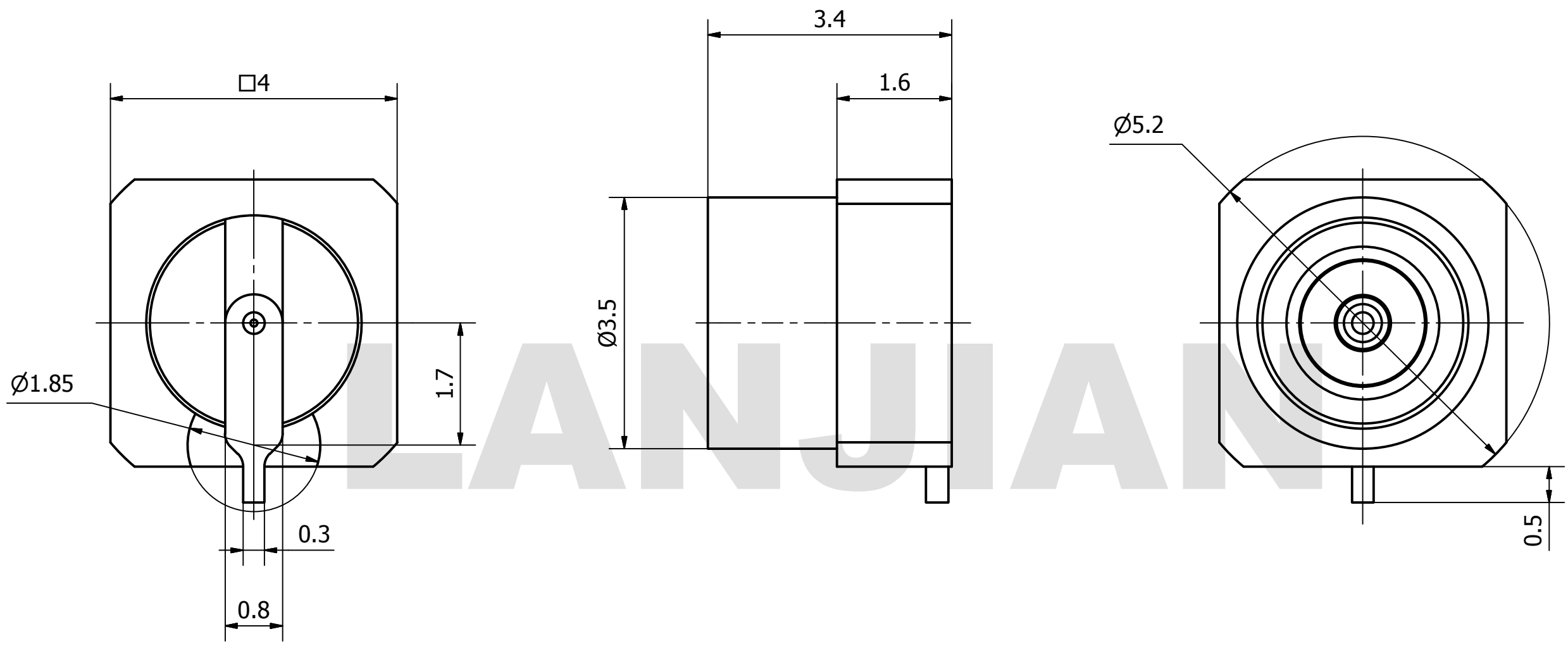


PRODUCT DATA SHEET



MATERIAL:
BODY: BRASS PER ASTM B16,
 ALLOY NO.UNS C36000
CONTACT: BRASS PER ASTM B16,
 ALLOY NO.UNS C36000
INSULATOR: PTFE

THIS DOCUMENT CONTAINS CONFIDENTIAL AND PROPRIETARY INFORMATION THAT CANNOT BE REPRODUCED OR DIVULGED, IN WHOLE OR IN PART, WITHOUT WRITTEN AUTHORIZATION FROM "LANJIAN ELECTRONICS"

MATERIAL :			
UNLESS OTHERWISE SPECIFIED: DIMENSIONS IN MM			
TOLERANCES :			
X.X	± 0.20	ANGULAR : $\pm 1^\circ$	DEBURR AND BREAK SHARP EDGES
X.XX	± 0.10	FILLETS R/C : ± 0.10	
X.XXX	± 0.01	SURFACE FINISH : Ra 1.6	
	NAME	DATE	SIGNATURE
DRAWN	YaoJiang	12/10/2018	
CHK'D	HongZhongYan	12/10/2018	
APPV'D	HongZhongYan	12/10/2018	
MFG			
PROJECTION		SIZE	SCALE
		A3	15 : 1

LANJIAN ELECTRONICS

38 Hengtong Road, Xinqu Dingmao
Zhenjiang, 212009, Jiangsu, P. R. China

TITLE

PCB PLUG FD

DWG No.	REV.
LJE-DVP.2018032601.ASMB	A
DO NOT SCALE THE DRAWING	
PAGE 1 / 1	