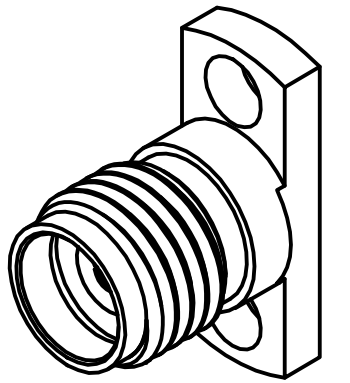
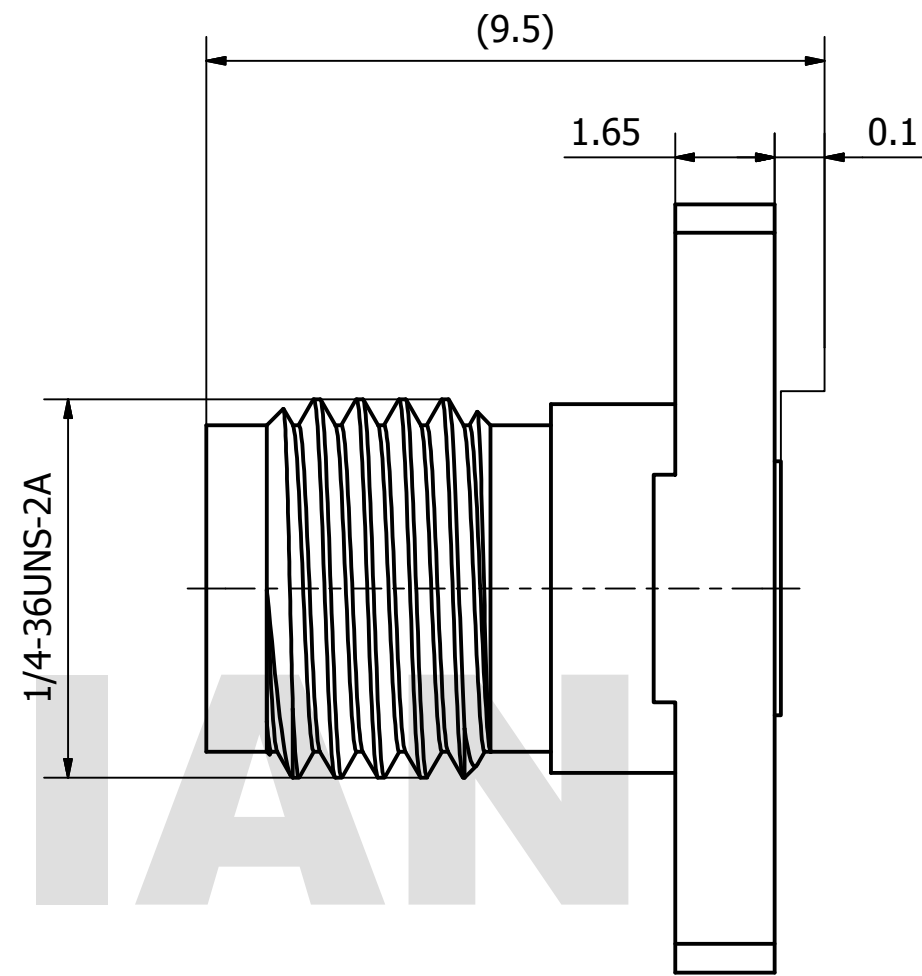
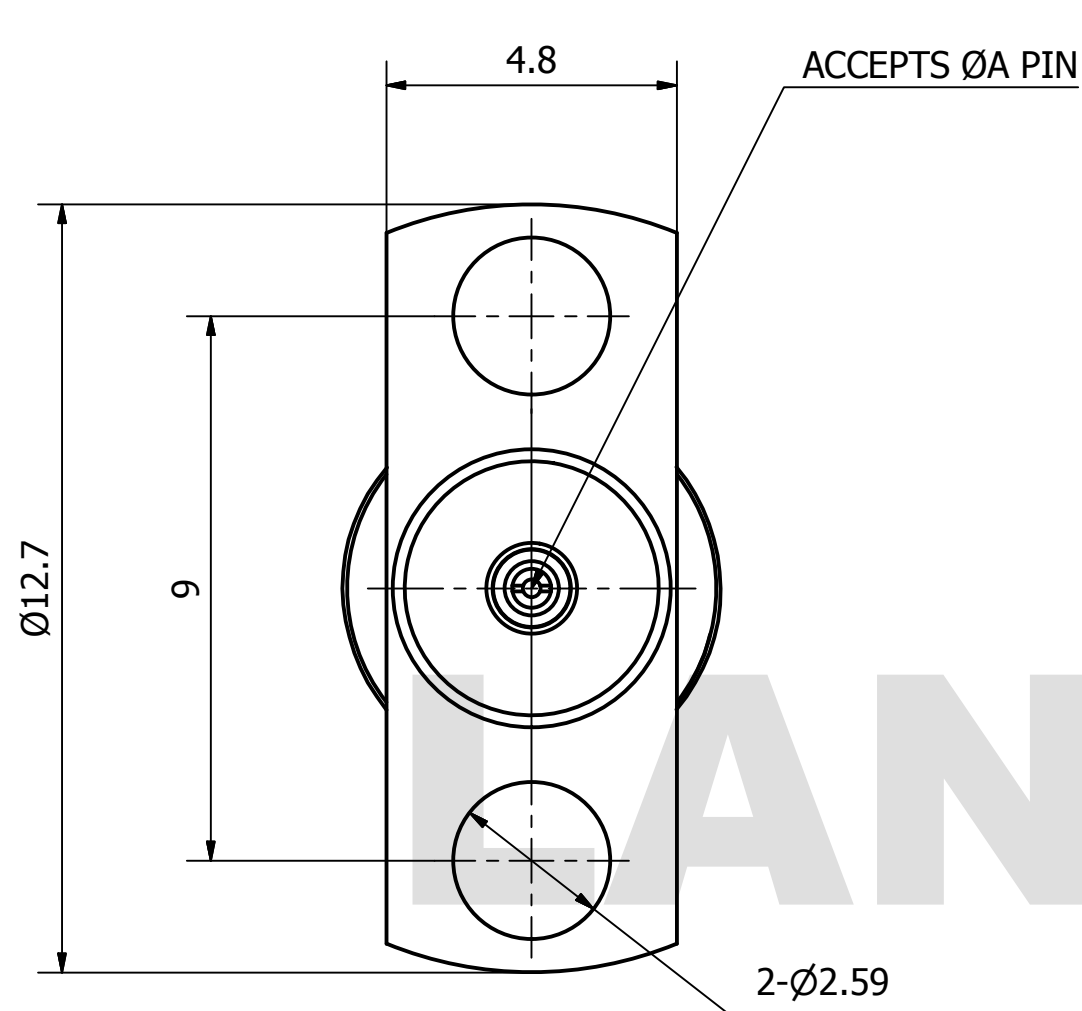


PRODUCT DATA SHEET



GCPZ3.660.C.0XXX	2.92-KFD2-1270XXX	A
GCPZ3.660.C.014A	2.92-KFD2-127030A	0.30
GCPZ3.660.C.019A	2.92-KFD2-127023A	0.23
GCPZ3.660.C.024A	2.92-KFD2-127051A	0.51

MATERIAL:
BODY: STAINLESS STEEL PER AMS-5640, ALLOY UNS S30300
CONTACT: BERYLLIUM COPPER PER ASTM B196. ALLOY NO. UNS C17300
INSULATOR: PEI

PERFORMANCE:
IMPEDANCE: 50 OHMS
FREQUENCY: DC TO 40 GHz
VSWR: ≤1.25

THIS DOCUMENT CONTAINS CONFIDENTIAL AND PROPRIETARY INFORMATION THAT CANNOT BE REPRODUCED OR DIVULGED, IN WHOLE OR IN PART, WITHOUT WRITTEN AUTHORIZATION FROM "LANJIAN ELECTRONICS"

MATERIAL :			
UNLESS OTHERWISE SPECIFIED: DIMENSIONS IN MM			
TOLERANCES :			
X.X	± 0.20	ANGULAR : ± 1°	DEBURR AND BREAK SHARP EDGES
X.XX	± 0.10	FILLETS R/C : ± 0.10	
X.XXX	± 0.01	SURFACE FINISH : Ra 1.6	
	NAME	DATE	SIGNATURE
DRAWN	YaoJiang	08/14/2018	
CHK'D	HongZhongYan	08/14/2018	
APPV'D	HongZhongYan	08/14/2018	
MFG			
PROJECTION		SIZE	SCALE
		A3	8 : 1

LANJIAN ELECTRONICS
 38 Hengtong Road, Xinqu Dingmao
 Zhenjiang, 212009, Jiangsu, P. R. China

TITLE
**2.92-KFD2-1270XXX
 straight jack connector**

DWG No. GCPZ3.660.C.0XXX	REV. A
DO NOT SCALE THE DRAWING	
PAGE 1 / 1	