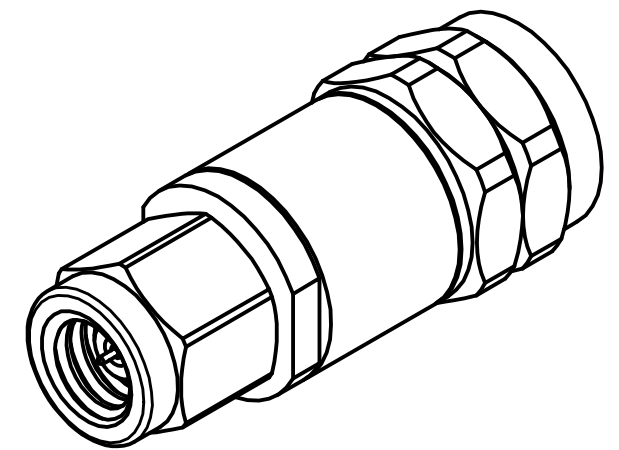
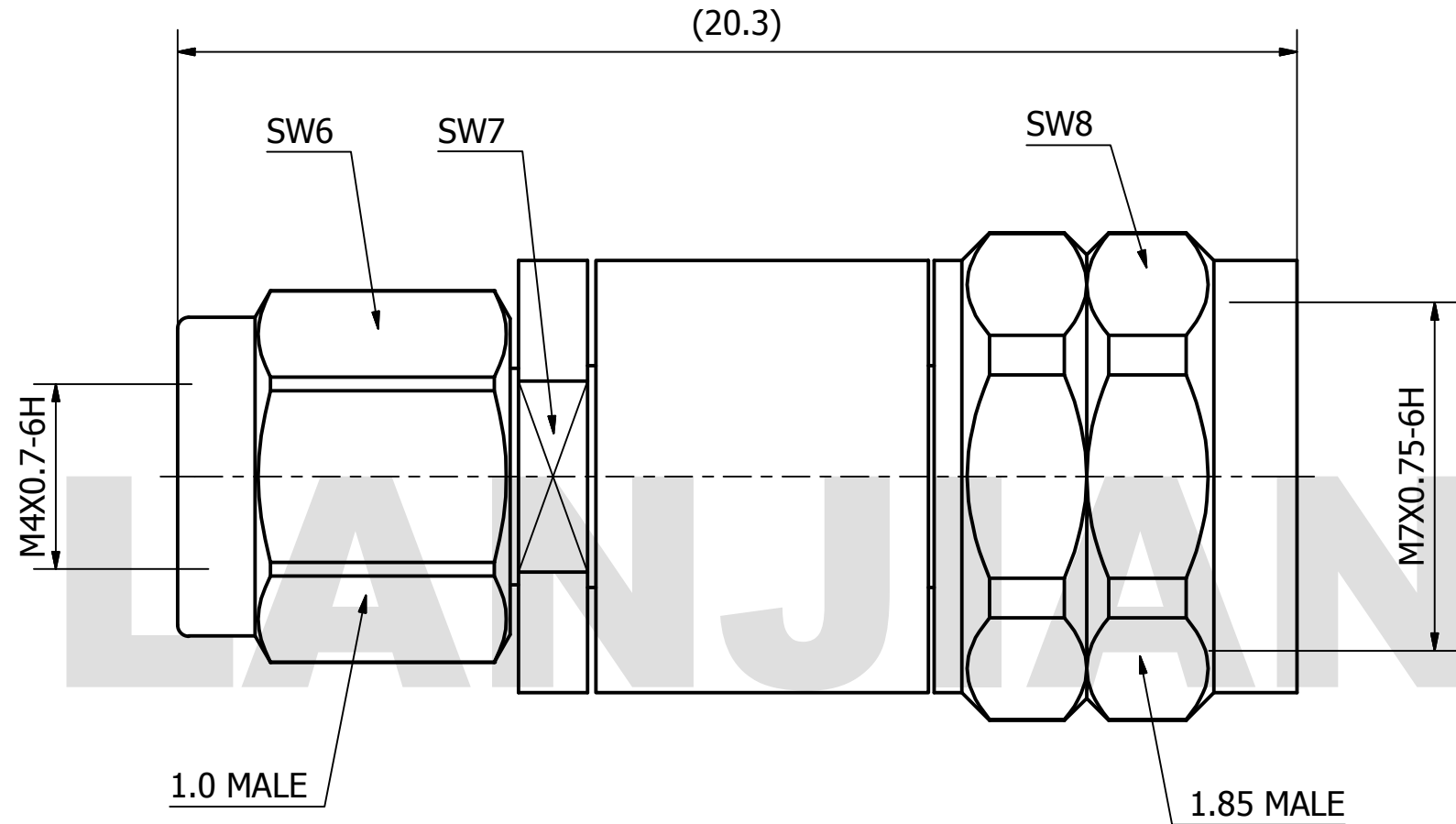


# PRODUCT DATA SHEET



**MATERIAL:**  
 BODY: STAINLESS STEEL PER AMS-5640,  
 ALLOY UNS S30300  
 CONTACT: BERYLLIUM COPPER PER ASTM B196.  
 ALLOY NO. UNS C17300  
 INSULATOR: PEI

**PERFORMANCE:**  
 IMPEDANCE: 50 OHMS  
 FREQUENCY: DC TO 65 GHz  
 VSWR:  $\leq 1.50$

THIS DOCUMENT CONTAINS CONFIDENTIAL AND PROPRIETARY INFORMATION THAT CANNOT BE REPRODUCED OR DIVULGED, IN WHOLE OR IN PART, WITHOUT WRITTEN AUTHORIZATION FROM "LANJIAN ELECTRONICS"

MATERIAL :			
UNLESS OTHERWISE SPECIFIED: DIMENSIONS IN MM			
TOLERANCES :			
X.X	$\pm 0.20$	ANGULAR : $\pm 1^\circ$	DEBURR AND BREAK SHARP EDGES
X.XX	$\pm 0.10$	FILLETS R/C : $\pm 0.10$	
X.XXX	$\pm 0.01$	SURFACE FINISH : Ra 1.6	
	NAME	DATE	SIGNATURE
DRAWN	YaoJiang	08/14/2018	
CHK'D	HongZhongYan	08/14/2018	
APPV'D	HongZhongYan	08/14/2018	
MFG			
PROJECTION		SIZE	SCALE
		A3	8 : 1

**LANJIAN ELECTRONICS**

38 Hengtong Road, Xinqu Dingmao  
Zhenjiang, 212009, Jiangsu, P. R. China

TITLE

## 1.0/1.85-JJ straight adaptor

DWG No.	REV.
GCPZ3.640.U.014	A
DO NOT SCALE THE DRAWING	
PAGE 1 / 1	