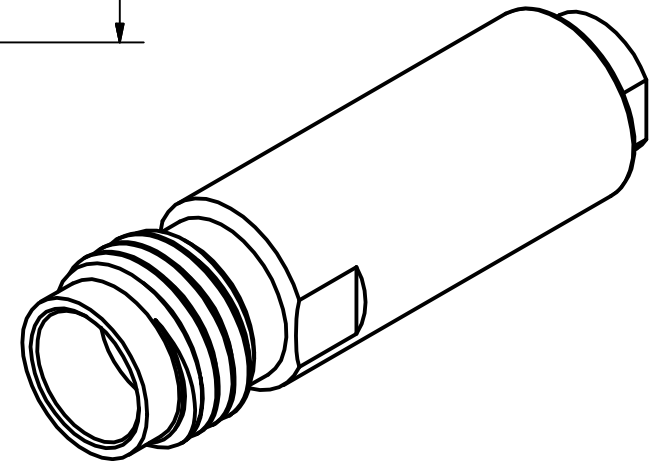
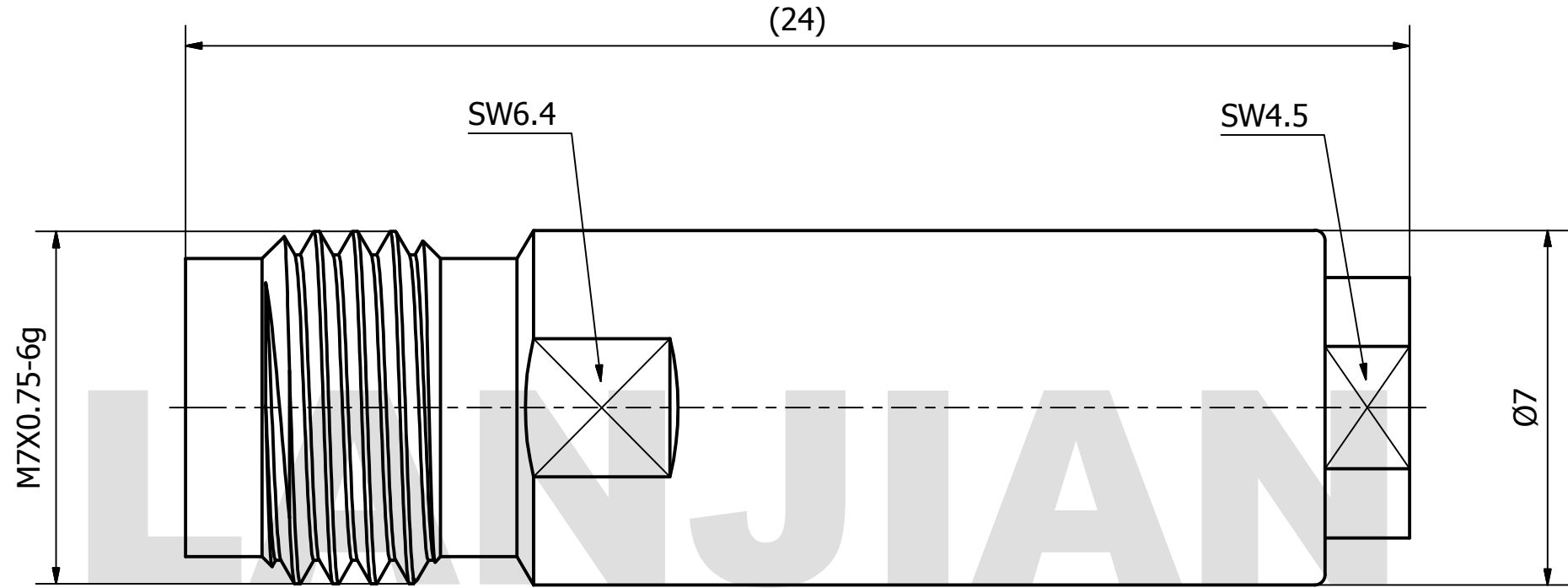


# PRODUCT DATA SHEET



**MATERIAL:**  
 BODY: STAINLESS STEEL PER AMS-5640,  
 ALLOY UNS S30300  
 CONTACT: BERYLLIUM COPPER PER ASTM B196.  
 ALLOY NO. UNS C17300  
 INSULATOR: PEI

**PERFORMANCE:**  
 IMPEDANCE: 50 OHMS  
 FREQUENCY: DC TO 65 GHz  
 VSWR: ≤1.40

|  |  |                         |            |  |
|--|--|-------------------------|------------|--|
| THIS DOCUMENT CONTAINS CONFIDENTIAL AND PROPRIETARY INFORMATION THAT CANNOT BE REPRODUCED OR DIVULGED, IN WHOLE OR IN PART, WITHOUT WRITTEN AUTHORIZATION FROM "LANJIAN ELECTRONICS" | MATERIAL :                                   |                         |            | <br>38 Hengtong Road, Xinqu Dingmao<br>Zhenjiang, 212009, Jiangsu, P. R. China |
|  | UNLESS OTHERWISE SPECIFIED: DIMENSIONS IN MM |                         |            |  |
|  | TOLERANCES :                                 |                         |            |  |
|  | X.X ±0.20                                    | ANGULAR : ±1°           | DEBURR AND | BREAK SHARP  |
|  | X.XX ±0.10                                   | FILLETS R/C : ±0.10     | EDGES      |  |
|  | X.XXX ±0.01                                  | SURFACE FINISH : Ra 1.6 |            |  |
|  | DRAWN  | NAME                    | DATE       | SIGNATURE  |
|  | CHK'D  |                         |            |  |
|  | APPV'D                                       |                         |            |  |
|  | MFG  |                         |            |  |
| PROJECTION   | SIZE   | SCALE                   |            |  |
|  | A3   | 8 : 1                   |            |  |
| DO NOT SCALE THE DRAWING   |  |                         | PAGE       |  |
| DO NOT SCALE THE DRAWING   |  |                         | 1 / 1      |  |