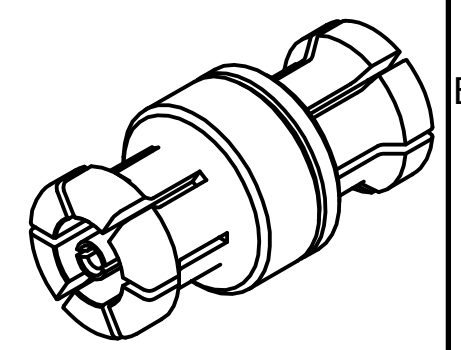
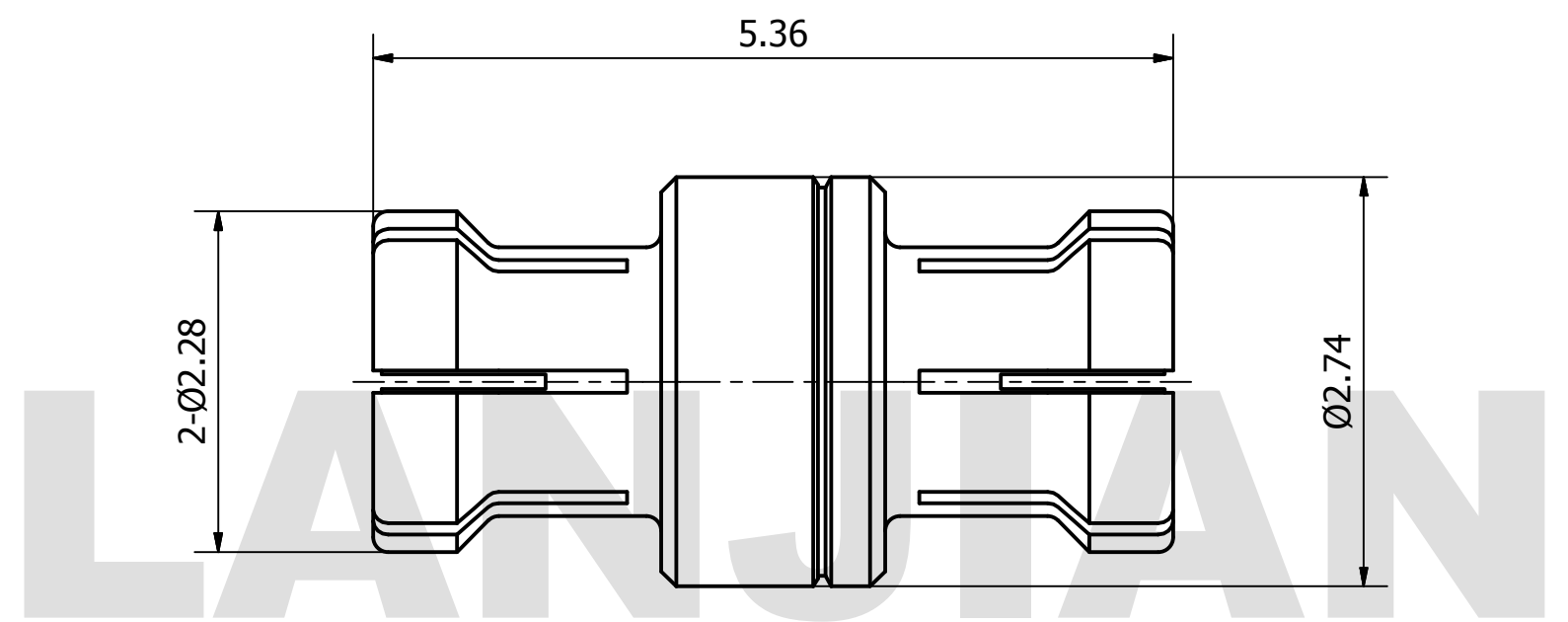


PRODUCT DATA SHEET



MATERIAL:
 BODY: BERYLLIUM COPPER PER ASTM B196.
 ALLOY NO. UNS C17300
 CONTACT: BERYLLIUM COPPER PER ASTM B196.
 ALLOY NO. UNS C17300
 INSULATOR: PTFE

THIS DOCUMENT CONTAINS CONFIDENTIAL AND PROPRIETARY INFORMATION THAT CANNOT BE REPRODUCED OR DIVULGED, IN WHOLE OR IN PART, WITHOUT WRITTEN AUTHORIZATION FROM "LANJIAN ELECTRONICS"	MATERIAL :			 38 Hengtong Road, Xinqu Dingmao Zhenjiang, 212009, Jiangsu, P. R. China	
	UNLESS OTHERWISE SPECIFIED: DIMENSIONS IN MM				
	TOLERANCES :				
	X.X	± 0.10	ANGULAR : ± 30°	DEBURR AND BREAK SHARP EDGES	
	X.XX	± 0.05	FILLETS R/C : ± 0.10		
	X.XXX	± 0.005	SURFACE FINISH : Ra 0.8		
	NAME	DATE	SIGNATURE	TITLE DOUBLE SOCKET SMPM-KK-536	
DRAWN	YaoJiang	12/10/2018			
CHK'D	HongZhongYan	12/10/2018			
APPV'D	HongZhongYan	12/10/2018			
MFG				DWG No.	REV. A
PROJECTION		SIZE	SCALE	DO NOT SCALE THE DRAWING	
		A3	20 : 1	PAGE 1 / 1	