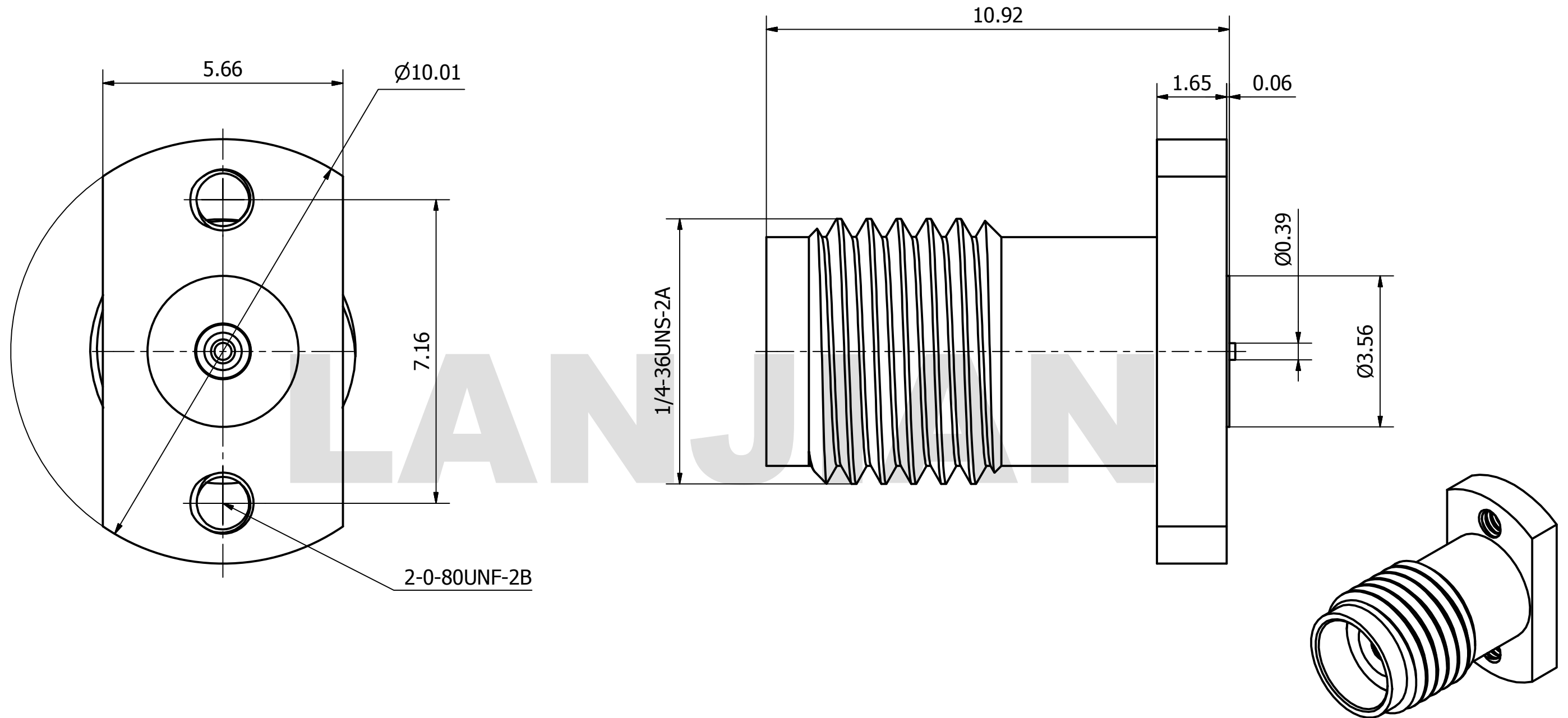


PRODUCT DATA SHEET



MATERIAL:
BODY: STAINLESS STEEL PER AMS-5640, ALLOY UNS S30300
CONTACT: BERYLLIUM COPPER PER ASTM B196. ALLOY NO. UNS C17300
INSULATOR: PEI

PERFORMANCE:
IMPEDANCE: 50 OHMS
FREQUENCY: DC TO 40 GHz
VSWR: ≤ 1.20

THIS DOCUMENT CONTAINS CONFIDENTIAL AND PROPRIETARY INFORMATION THAT CANNOT BE REPRODUCED OR DIVULGED, IN WHOLE OR IN PART, WITHOUT WRITTEN AUTHORIZATION FROM "LANJIAN ELECTRONICS"	MATERIAL :			 38 Hengtong Road, Xinqu Dingmao Zhenjiang, 212009, Jiangsu, P. R. China
	UNLESS OTHERWISE SPECIFIED: DIMENSIONS IN MM			
	TOLERANCES :			
	X.X	± 0.20	ANGULAR : ± 1°	DEBURR AND BREAK SHARP EDGES
	X.XX	± 0.10	FILLETS R/C : ± 0.10	
	X.XXX	± 0.01	SURFACE FINISH : Ra 1.6	
	NAME	DATE	SIGNATURE	
DRAWN	YaoJiang	08/14/2018		
CHK'D	HongZhongYan	08/14/2018		
APPV'D	HongZhongYan	08/14/2018		
MFG				
PROJECTION		SIZE	SCALE	
		A3	10 : 1	
DO NOT SCALE THE DRAWING			REV. A	
DWG No. GCPZ3.660.C.043			PAGE 1 / 1	

2.92-KFD2-101040P
straight micro-strip connector