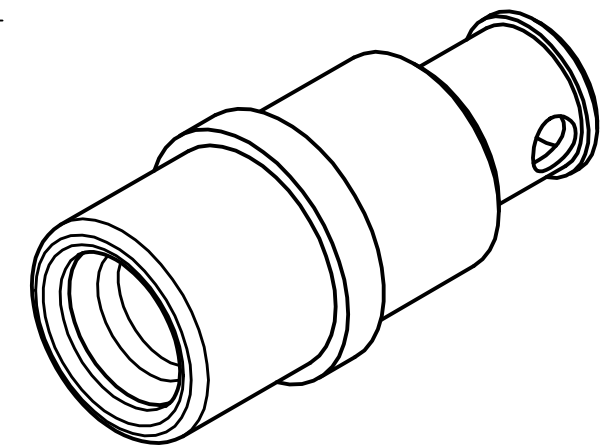
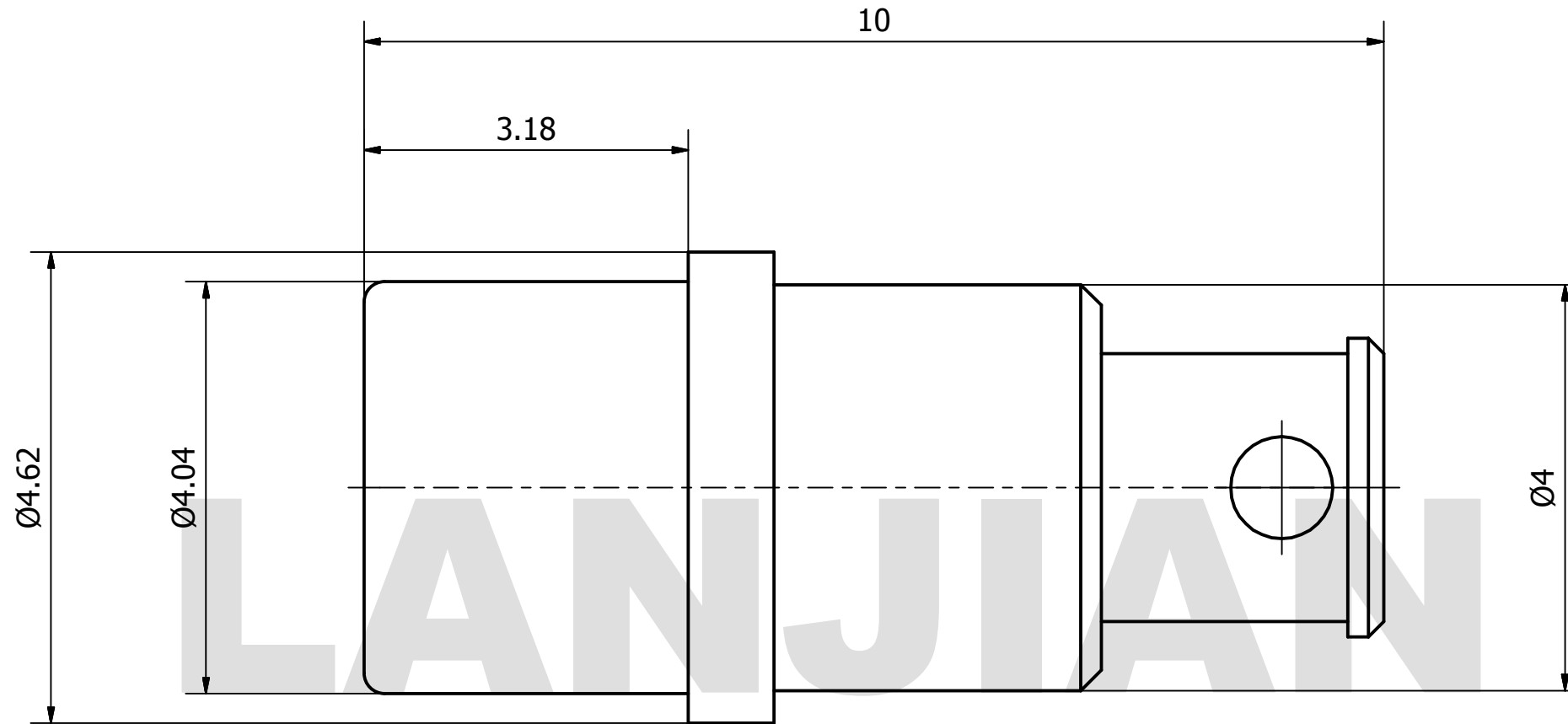


PRODUCT DATA SHEET



MATERIAL:
 BODY: BRASS
 CONTACT: BERYLLIUM COPPER PER ASTM B196.
 ALLOY NO. UNS C17300
 INSULATOR: PEI

PERFORMANCE:
 IMPEDANCE: 50 OHMS
 FREQUENCY: DC-65 GHz
 VSWR: ≤ 1.35 (TESTING WITH CABLE)

THIS DOCUMENT CONTAINS CONFIDENTIAL AND PROPRIETARY INFORMATION THAT CANNOT BE REPRODUCED OR DIVULGED, IN WHOLE OR IN PART, WITHOUT WRITTEN AUTHORIZATION FROM "LANJIAN ELECTRONICS"	MATERIAL :		
	UNLESS OTHERWISE SPECIFIED: DIMENSIONS IN MM		
	TOLERANCES :		
	X.X	± 0.10	ANGULAR : ± 30°
	X.XX	± 0.05	FILLETS R/C : ± 0.10
	X.XXX	± 0.005	SURFACE FINISH : Ra 0.8
			DEBURR AND BREAK SHARP EDGES
		NAME	DATE
	DRAWN	YaoJiang	10/24/2018
	CHK'D	HongZhongYan	10/24/2018
APPV'D	HongZhongYan	10/24/2018	
MFG			
PROJECTION	SIZE	SCALE	
	A3	16 : 1	

LANJIAN ELECTRONICS
 38 Hengtong Road, Xinqu Dingmao
 Zhenjiang, 212009, Jiangsu, P. R. China

TITLE
SMPM-J3605-1
 straight pin cable connector

DWG No. GCPZ3.650.H.005 REV. A

DO NOT SCALE THE DRAWING PAGE 1 / 1